

READY TO GO. READY TO USE.

Series EBRO Z 400 for PE/PP piping



Z 414-A Water

Z 414-A Gas

Z 414-A with electric actuator E65

THE WORLD OF EBRO VALVES.

Our international network



- Subsidiaries
- Representative offices

Since the company was founded in 1972, EBRO ARMATUREN has been developing, producing and selling shut-off and control valves as well as automation technology for industrial applications. More than 1,000 employees in over 30 national and international subsidiaries ensure that EBRO products are available in over 100 countries worldwide. Within the global network, production takes place at the headquarters in Germany and in Italy, Sweden, China and Thailand with uniformly high manufacturing and quality standards.

In 2005, the Swedish manufacturer Stafsjö Valves AB was acquired and the product range was extended by an extensive portfolio of knife gate valves.

EBRO ARMATUREN Gebr. Bröer GmbH

Karlstraße 8
58135 Hagen | Germany

Phone: +49 2331 904-0
post@ebro-armaturen.com

More info on the
EBRO Z 400 series

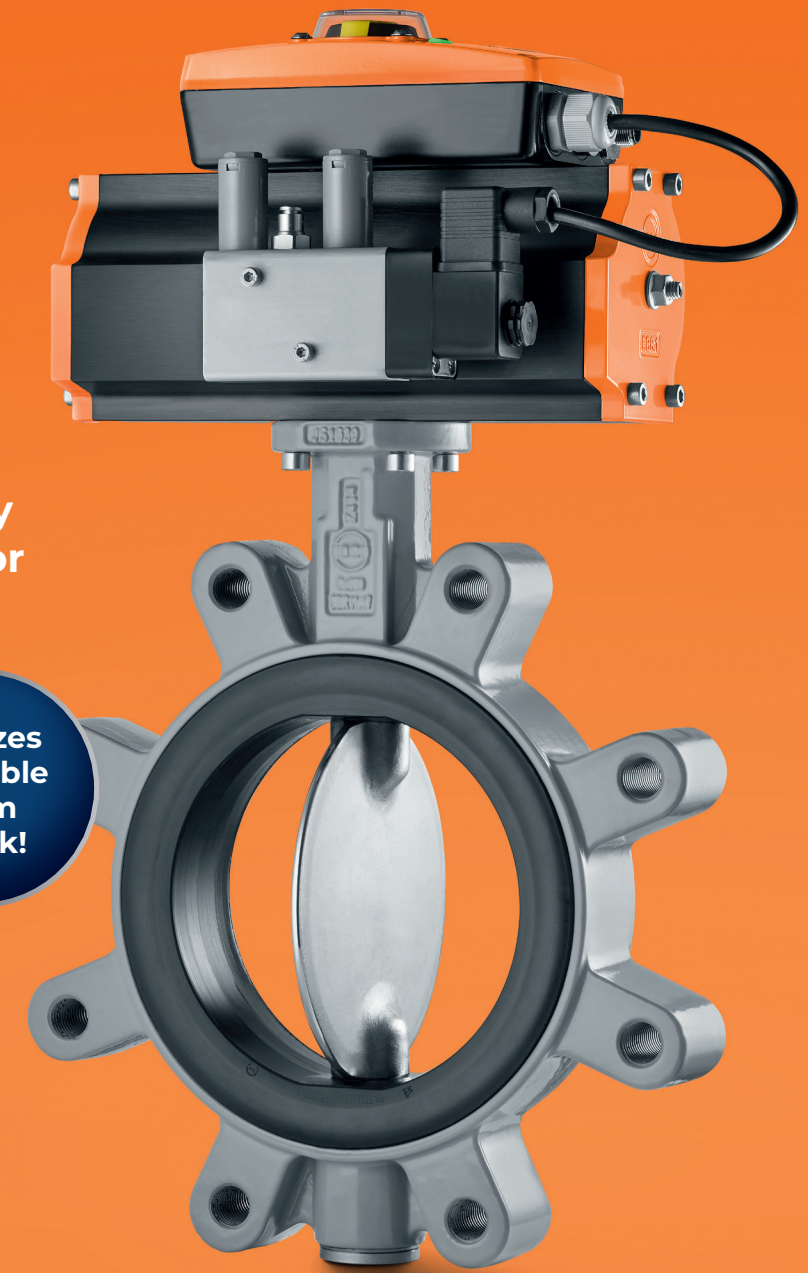


© EBRO ARMATUREN Gebr. Bröer GmbH (Germany). All rights reserved. Subject to misprints and errors. Printed in Germany. 01/03.2022|1500|EN

THIS ONE IS A PERFECT FIT!

Series EBRO Z 400 butterfly
valves specially designed for
PE/PP piping

All sizes
available
from
stock!



www.ebro-armaturen.com
A Bröer Group company | www.broeer-group.com

THE PERFECT FIT. ANY WHICH WAY.



Z 411-A



Z 411-A Gas

Z 411-A Water

Regardless of whether it is a wafer or lug type valve, the unique benefits of this series can also be experienced with both versions.

Pipe systems made from PE and PP plastics are being used in more and more areas. The many different fitting options in the Z 400 series mean you can be sure of a perfectly coordinated solution, whatever your installation requirements. Our specialists will be happy to help you choose the right EBRO Z 400 shut-off and control valve.

PRECISION. PERFECTED.

- No need to bore or chamfer the stub flanges. This maximises the stability of the flanged joint and fittings.
- Energy-efficient and hygienic due to flow-optimised valve disc and virtually dead-space-free transitions.
- Sealing surfaces of stub flange and valve are precisely matched to one another and provide an optimal flanged joint.
- No spacer rings or flange seals are required. That provides the basis for a sturdy, pressure-surge-resistant, vacuum-proof and flow-optimised design.

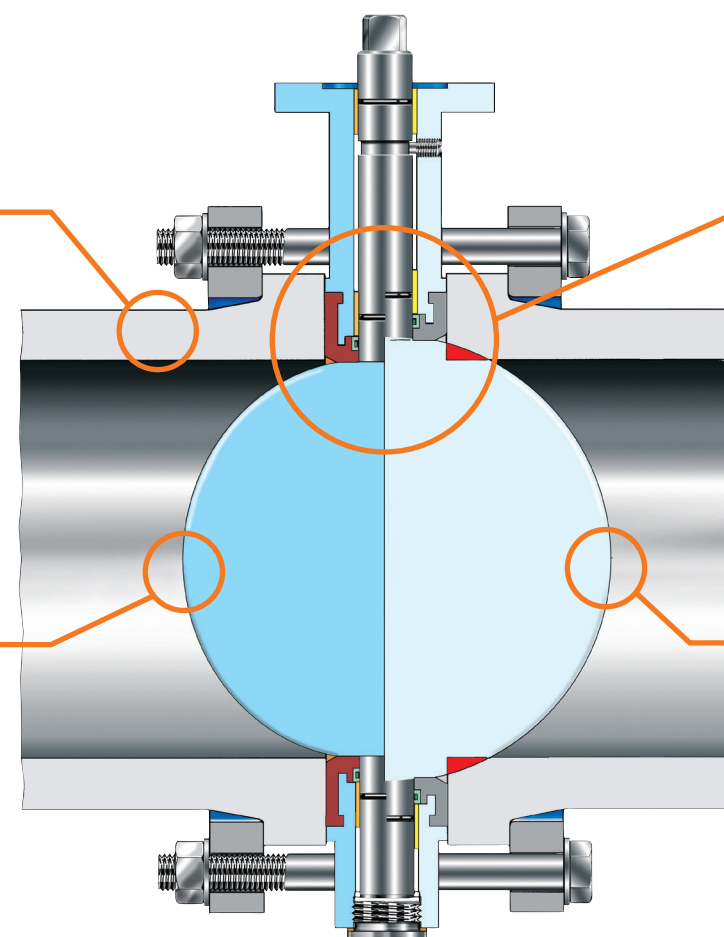


Rating plate bearing the following data: SDR – OD – DN – PN. For unambiguous identification based on hydraulic requirements in order to ensure seamless correlation of pipe dimension and valve in planning, assembly, service and maintenance.

PE/PP piping

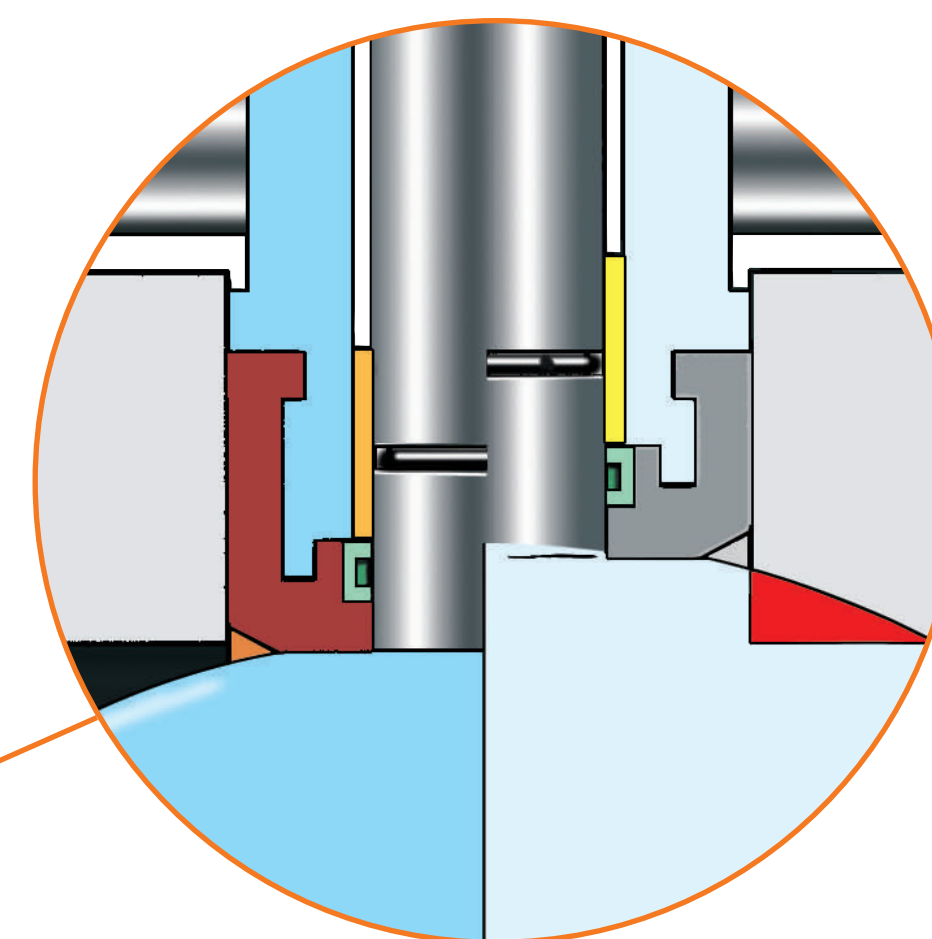
Series Z 400

Perfect seat without rework.



Conventional shut-off and control valve

PE/PP piping has to be reworked.



Series EBRO Z 400 for PE/PP piping

- Quick installation without machining the stub flange
- Maximum stability and optimal sealing surface area
- Perfect flow and maximum hygiene
- Available in all sizes from OD 50 to OD 630

SAFE. FAST. TIGHTER.

Series EBRO Z 400 – the only butterfly valves within the market specially developed for use in PE/PP piping.

Piping made of **PE/PP** is being used instead of plain steel and stainless steel pipes in more and more fields of application. However, conventional-type concentric butterfly valves are not designed for plastic piping.

The consequences are labour-intensive rework on the stub flange, additional planning and assembly effort, a much smaller sealing surface area, much lower stability, larger dead spaces and greater susceptibility to corrosion.

In developing the new Series Z 400, EBRO has created shut-off and control valves that are perfectly adapted to the dimensions of plastic pipes. Compared to conventional valves made of plastic or metal they provide maximum safety and cost-effectiveness – from installation to operation and maintenance.

Thanks to the wide range of high quality sealing materials special designs – such as DVGW certified versions for the use in pipe systems for water or gas supply – are available. They can be delivered without restriction in all sizes from OD 50 to OD 630.