

IMPELLER VALVE FS-M



Impeller valve for shut-off and control of product streams in the bulk industry.

TECHNICAL DATA

Nominal diameter:	DN 150 - DN 500
Face-to-face:	EBRO works standard
Flange accommodation:	EN 1092 PN 6/10/16 ASME Class 150
Marking:	EN 19
Operating pressure:	max. 6 bars
Temperature range:	-20 °C to +100°C, optional up to +250°C
Body:	Light metal full flange with inserted ring (stainless steel)
Impeller:	Stainless steel, optional mirror polished
Actuator:	Electric actuator 230V/400V 50Hz/60Hz, 30 min-1 to 100 min-1

FEATURES

- Maintenance-free
- Triple shaft bearing
- Can be installed in any desired position
- Safe and consistent discharge of rapid flowing products
- Noticeable reduction of demixing during discharge
- No compaction or levigation of products during charge and discharge
- Control and dosing of product streams
- Optional: Stop in zero position (sealing)
 - Right-/left rotation
 - Rotation speed control
 - Hardened rotary valve
- Not sealed by water and gas
- Lighting gap between body and disc

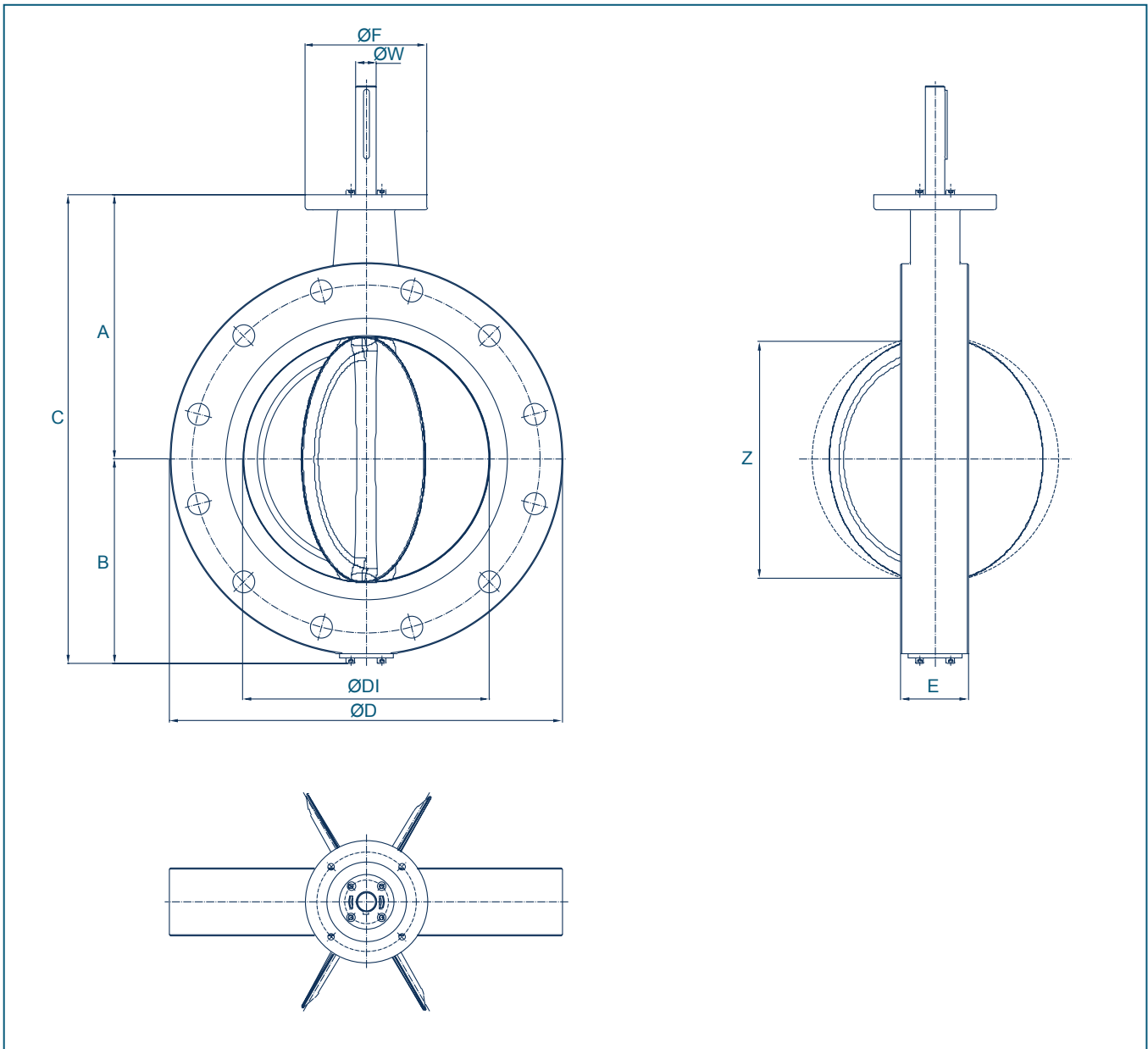
GENERAL APPLICATIONS

- Blending plants
- Silo constructions
- Granulates handling
- Weighing technology



Impeller valve in preferred position

IMPELLER VALVE FS-M



DN [mm]	Size [in]	Dimensions [mm]								
		A	B	C	ØD	ØDI	E	ØF	ØW	Z
150	6	203	150	353	285	148	50	123	20	139
200	8	228	175	403	340	198	50	123	20	192
250	10	266	203	469	395	248	66	123	20	240
300	12	293	249	542	445	298	65	160	30	291
350	14	332	274	606	505	348	66	160	30	342
400	16	363	306	669	565	398	75	148	30	392
500	20	437	378	815	670	498	127	250	50	482

Subject to change without notice