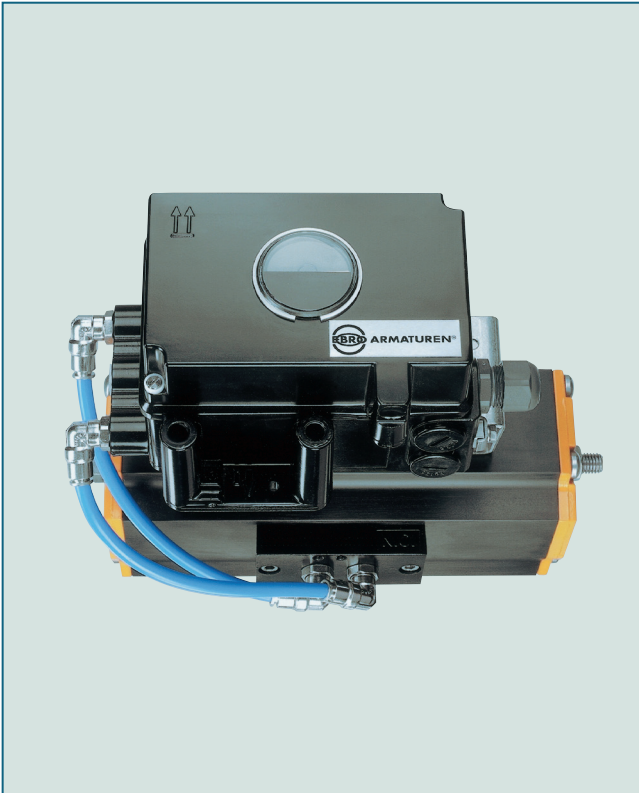


ELECTRO-PNEUMATIC POSITIONER EP 100 / EP 200



EP 100 (analog)

The analog positioner EP 100 with input signal 4..20 mA serves to activate single or double acting pneumatic quarter turn actuators. The settings are carried out in a simple way via switches and potentiometers.

In the version EP100-Option R it achieves the option travel indication. Position of the actuator is shown by an analog 4..20 mA signal.

Options:

- Integrated inductive or mechanical value transmitter, independent from actuator technology
- Gauge attachment for air supply and outputs
- Power amplifier

EP 200 (digital)

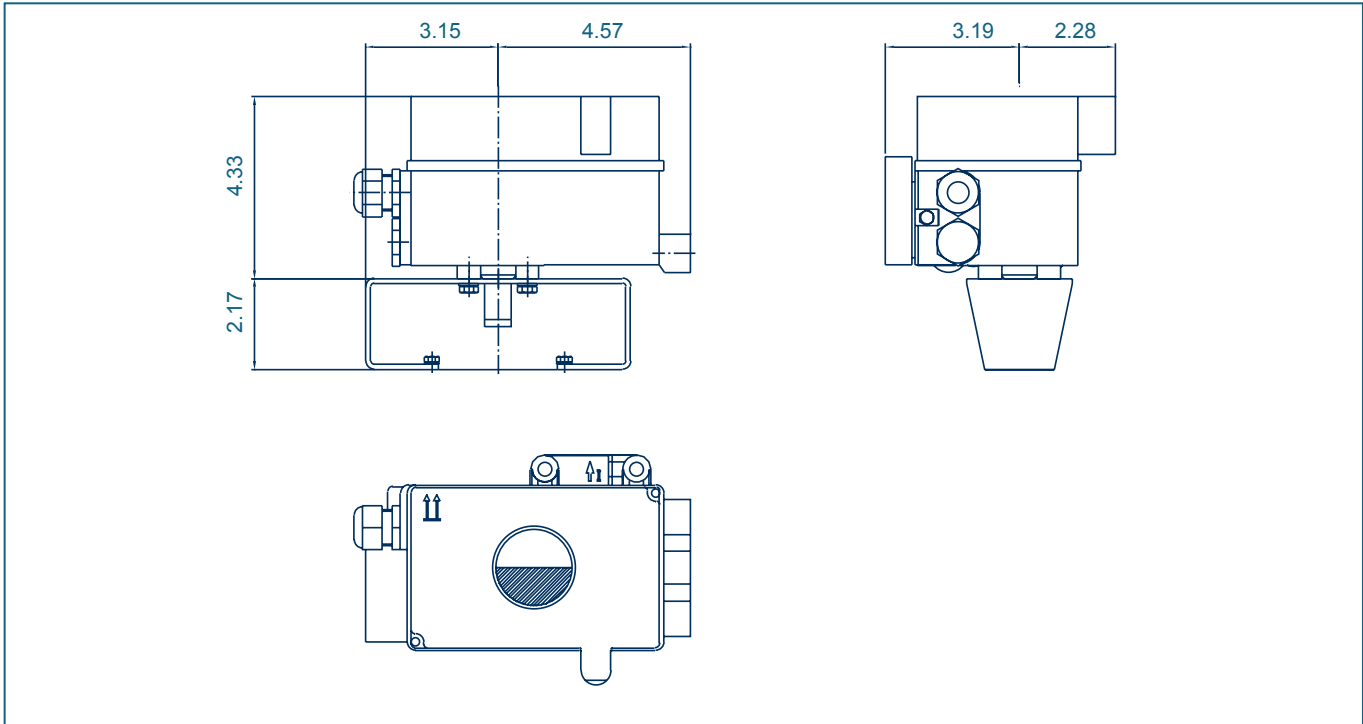
The positioner EP 200 is controlled by micro processor and is designed to operate and control single or double acting pneumatic actuators by means of an analog signal of 4..20 mA. It provides the advanced functionality of latest positioners, e.g. Autostart for the determination of control parameters and easy operation on site.

Further options (kompatible to EP 100)

- Integrated inductive or mechanical value transmitter, independent from actuator technology
- Gauge attachment for air supply and outputs
- Power amplifier



ELECTRO-PNEUMATIC POSITIONER EP 100 / EP 200



TYPE CODE

Electro-pneumatic Positioner		
Analog (EP100)	EP100-	
Digital (EP200)	EP200-	
Version		
single-acting	E	
double-acting	D	
Analog Signal		
without (only EP100)	0	
Output-Signal 4..20 mA	R	
Limit Switch		
without		S-
inductive limit switch Two-Wire-Version (NAMUR)		T-
inductive limit switch Two-Wire-Version (NAMUR Safety-Version)		U-
inductive limit switch in Three-Wire-Version		R-
mechanical switch (potential-free)		V-
Explosion Protection		
without		ZZZ

Subject to change without notice