

WAFER TYPE BUTTERFLY VALVE Z 011-A therm



Wafer type valve Z 011-A with integrated thermometer.
This construction is also deliverable for the series Z 014-A.

TECHNICAL DATA

Nominal diameter:	DN 20 - DN 200 (available only with hand lever)
Deliverable for the series:	Z 011-A and Z 014-A
Face-to-face:	EN 558 Series 20 ISO 5752 Series 20 API 609 Table 1
Flange accommodation:	EN 1092 PN 6/10/16 ASME Class 150
Lap-joint flange:	EN 1092
Weld-on flange:	EN 1092
Flange Surface Design:	EN 1092 Form A/B ASME RF, FF
Top flange:	EN ISO 5211
Marking:	EN 19
Tightness check:	EN 12266 (Leakage rate A) ISO 5208, Category 3
Temperature range:	-20°C to +130°C (depending on pressure, medium and material)
Operating pressure:	max. 16 bar
Vacuum:	1 mbar absolute

FEATURES

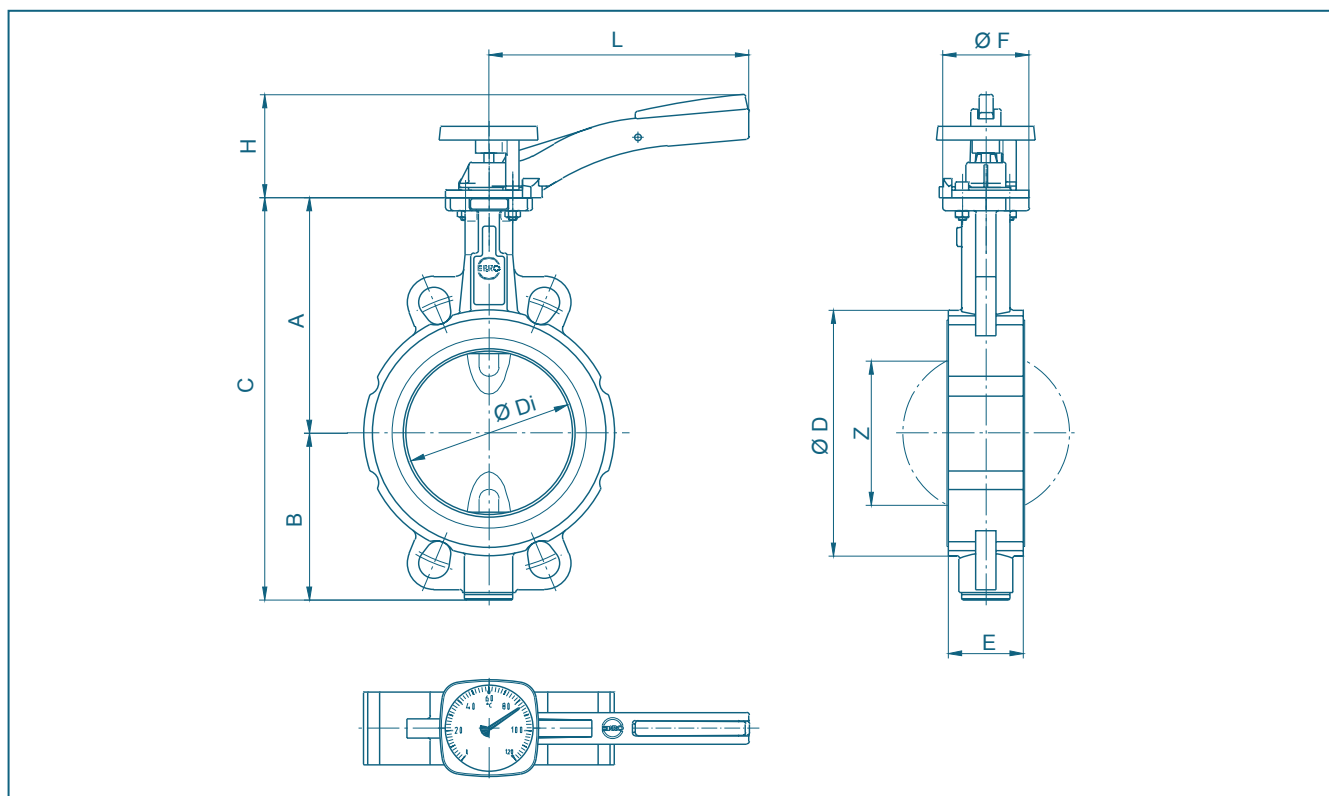
- EBRO therm butterfly valves are ready to accept thermometers, electronic thermo sensors (PT 100) or a system identification plate
- The valves are supplied with the mounting hole sealed and the thermometer is enclosed separately -marked to prevent confusion
- The patented be-metallic helix guarantees a quick reaction time during temperature changes and - due to its position in the valve disc -prevents the formation of a mixed temperature between the medium and the valve body

GENERAL APPLICATIONS

- Civil engineering



WAFER TYPE BUTTERFLY VALVE Z 011-A therm



DN [mm]	Size [in]	Dimensions [mm]										Weight [kg]
		A	B	C	D	Di	E	F	H	L	Z	
20	¾	104	45	149	59	31,5	33	54	70	155	-	1,5
25	1	104	45	149	63	31,5	33	54	70	155	-	1,5
32	1¼	104	50	154	68	31,5	33	54	70	155	-	1,6
40	1½	113	66	179	80	38	33	54	70	155	22	2,0
50	2	126	84	210	95	48,5	43	54	70	155	25	2,4
65	2½	134	93	227	115	63,5	46	54	70	155	45	3,1
80	3	157	104	261	138	78,5	46	65	80	195	65	4,2
100	4	167	115	282	158	98,5	52	65	80	195	85	5,4
125	5	180	127	307	188	123,5	56	65	80	195	111	7,1
150	6	203	150	353	212	148	56	90	100	276	139	10,1
200	8	228	176	404	268	199	60	90	100	276	190	13,8

Subject to change without notice

ACCESSORIES



Screw sleeves

- In order to maintain a uniform design for the whole system, brass screw sleeves with different shaft lengths are available for mechanical thermometers where no valve is fitted

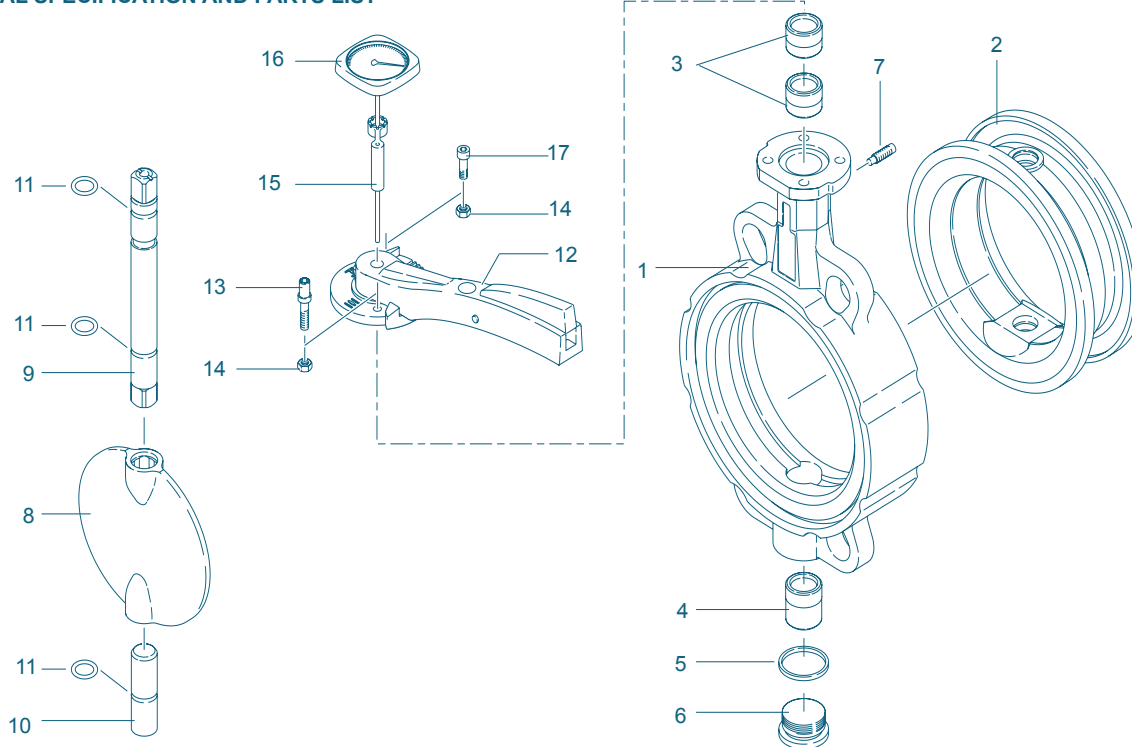


Identification plates

- EBRO therm butterfly valves are predesigned to accept an identification plate. Appropriate base plates with mounting adapters and transparent covers are available as accessories

WAFER TYPE BUTTERFLY VALVE Z 011-A therm

MATERIAL SPECIFICATION AND PARTS LIST



Pt.	Description	Material	Material No.	ASTM	Pt.	Description	Material	Material No.	ASTM	
1	Body	GG 25	0.6025	40 B	9/10	Shaft	Stainless Steel	X14CrMoS17	1.4104	430 F
2	Seat	EPDM					X5CrNiMo17-12-2	1.4401	316	
3/4	Bearing bush	Ethylene propylene diene monomer rubber					Hastelloy	2.4883	Hastelloy	
	Brass	MS 58	2.0401	B 45	11	O-ring	NBR		Nitrile butadiene rubber	
	Polyamide	PA 66					FPM		Fluorocarbon rubber	
	PTFE	Polyterafluoroethylene			12	Hand lever complete				
5	Seal DIN 7603	Copper		Copper	13	Screw	Steel	St. galvanized	CS	
6	Plug screw DIN 908	G-X6CrNiMo18-10	1.4408	CF8M	14	Hex. nut	Steel	St. galvanized	CS	
7	Set screw DIN 915	Steel	45 H galvanized		15	Thermometer holder	PP		Polypropylene	
	Stainless Steel	X5CrNiMo17-12-2	1.4401	B8M	16	Thermometer				
8	Disc	Stainless Steel	G-X6CrNiMo18-10	1.4408	A	351CF8M	Steel	St. galvanized		
							Other materials upon request			

Subject to change without notice