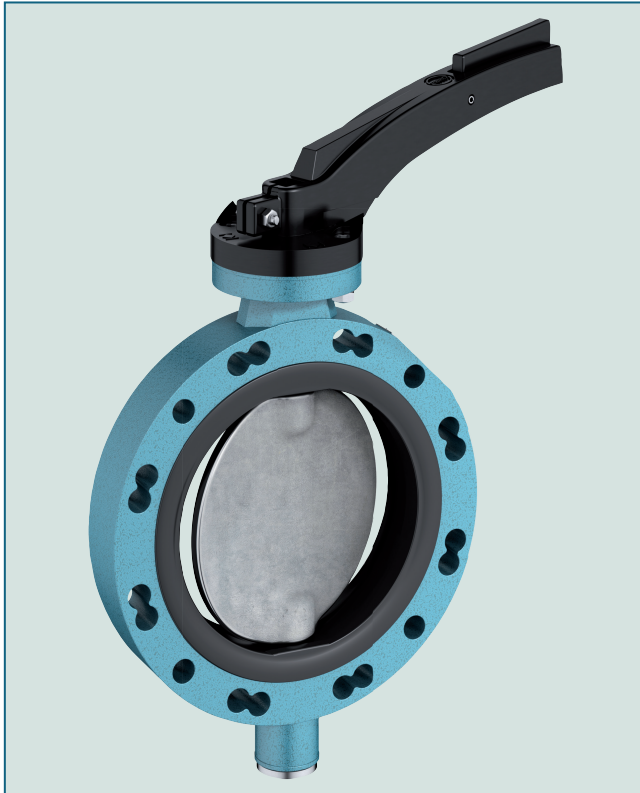


WAFER TYPE BUTTERFLY VALVE TW 150/TW 200



Wafer type butterfly valve TW 150 with NBR-seat.

TECHNICAL DATA

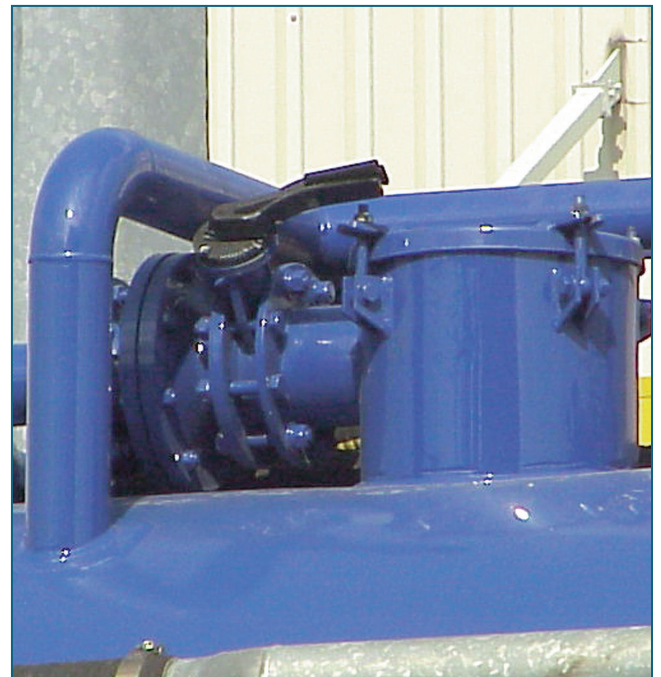
Nominal diameter:	DN 150 / DN 200
Face-to-face:	EBRO works standard
Flange accomodation:	DIN 28459 flanges for lorries
Flange Surface Design:	DIN 28459
	ASME RF, FF
Tightness check:	EN 12266 (Leakage rate A)
	ISO 5208, Category 3
Temperature range:	-20°C to +160°C
	(depending on pressure an medium)
Operating pressure:	max. 6 bar
Body:	Aluminiumalloy
	GD-AlSi9Cu3 (3.2163)
Seat:	EPDM (Ethylene propylene diene monomer rubber)
	NBR (Nitrile butadiene rubber)
	FPM (Fluorocarbon rubber)
	SBR-green (Styrene butadiene rubber)
Disc:	Stainless Steel
	X5CrNi18-10 (1.4301)
	G-X6CrNiMo18-10 (1.4408)

FEATURES

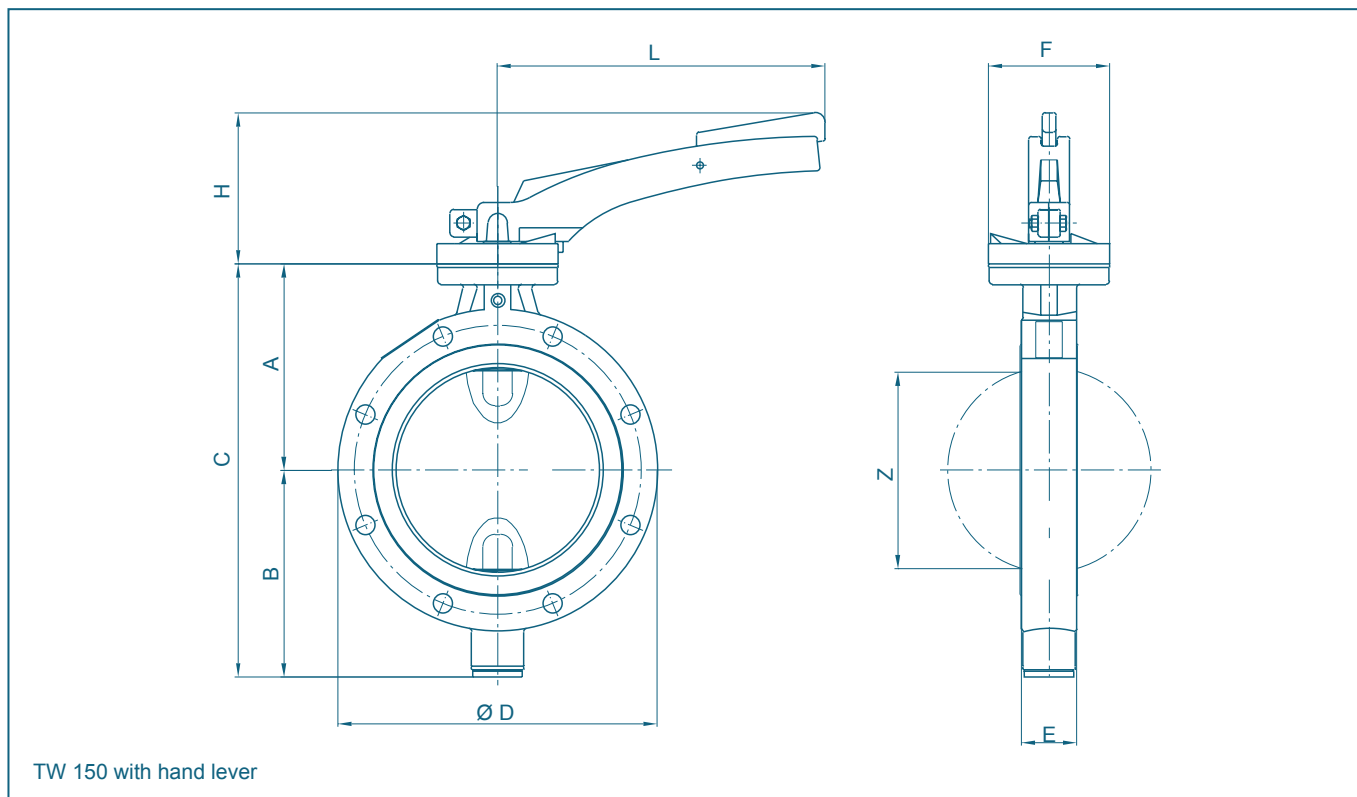
- Maintenance-free
- Triple shaft bearing
- Can be disassemble, material-specific recycling possible

GENERAL APPLICATIONS

- Silo vehicles
- Disposal vehicles



WAFER TYPE BUTTERFLY VALVE TW 150/TW 200



DN [mm]	Size [in]	Dimensions [mm]									Weight [kg]
		A	B	C	D	E	H	L	F	Z	
150	6	150	150	300	234	40	110	240	90	144	4,3
200	9	182	176	358	275	50	110	240	90	193	6,1

Subject to change without notice