

PINCH VALVE QV



Pinch valve with full passage for solid mattered waste water, mud and similar media.

TECHNICAL FEATURES

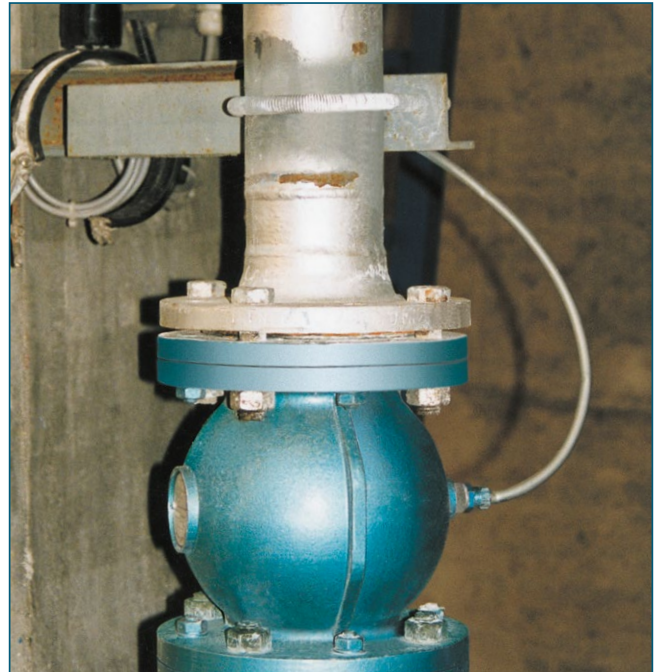
Nominal diameter:	DN 40 - DN 200
Face-to-face:	EBRO works standard
Flange accommodation:	EN 1092 (PN 10)
Flange Surface Design:	EN 1092 Form C/E
Temperature range:	-20°C to +140°C (depending on pressure and medium)
Operating pressure:	max. 5 bar
Differential pressure:	2 bar (control air pressure – operating pressure)
Body:	Aluminiumalloy
Seat:	Natural rubber EPDM (Éthylene propylene caoutchouc) FPM (Fluorocarbon caoutchouc)
Flanges:	Aluminiumalloy - Rilsan coated - Rubber coated

FEATURES

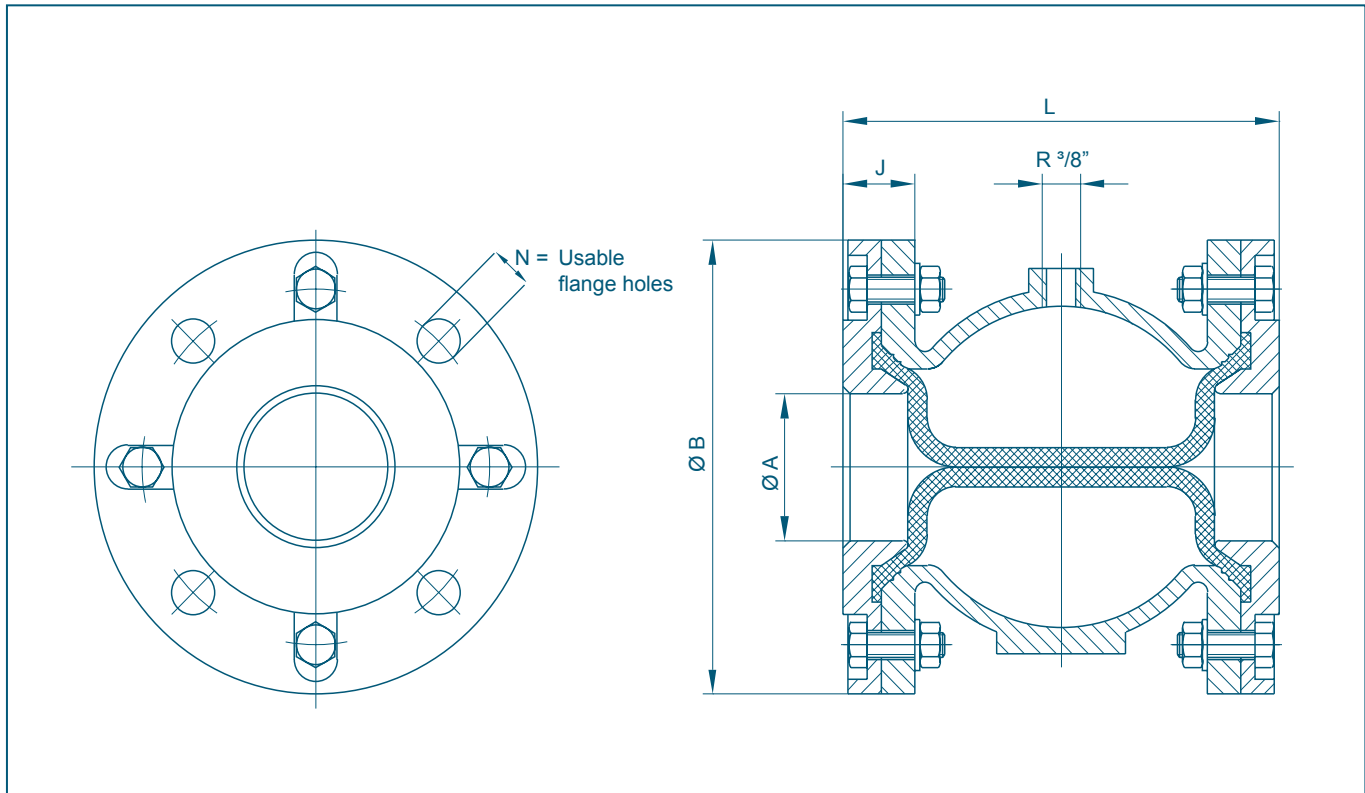
- Full passage, special suitability for mud, powder, granulates
- Mounting of a solenoid valve enables electro-pneumatic operation
- Can be installed in any desired position

GENERAL APPLICATIONS

- Pneumatic conveying systems
- Solid mattered media



PINCH VALVE QV



DN [mm]	Size [in]	Dimensions [mm]					N	Weight [kg]
		A	B	J	L			
40	1½	35	150	30	156	4	3,2	
50	2	45	165	30	167	4	4,3	
65	2½	60	185	30	182	4	5,5	
80	3	75	200	34	226	4	6,6	
100	4	95	220	39	282	8	9,9	
125	5	120	250	43	350	8	14,3	
150	6	145	285	50	420	8	19,5	
200	8	195	340	57	559	8	28,5	

Subject to change without notice