

WAFER TYPE BUTTERFLY VALVE Z 611-K



Resilient seated wafer type butterfly valve in split - body design for semi-corrosive media.

TECHNICAL DATA

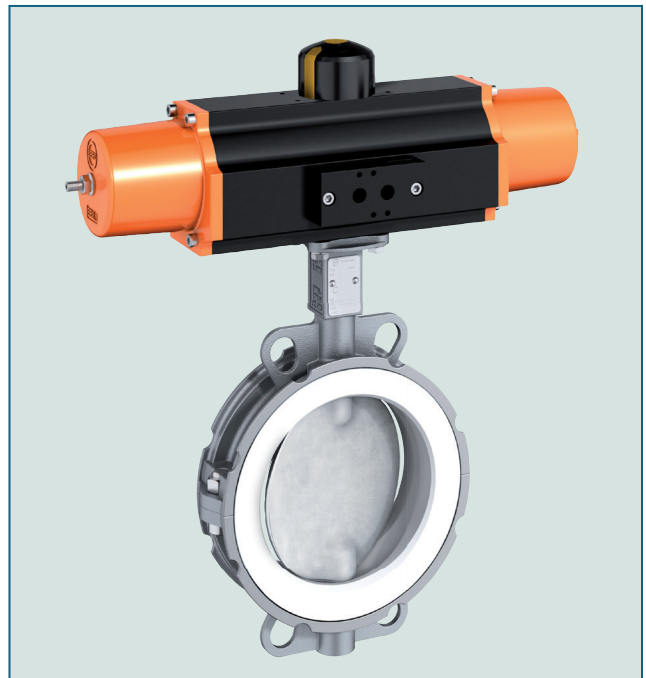
Nominal diameter:	DN 50 - DN 300
Face-to-face:	EN 558 Series 20 ISO 5752 Series 20 API 609 Table 1
Flange accommodation:	EN 1092 PN 10/16 ASME Class 150 -others on request-
Flange Surface Design:	EN 1092 Form A/B ASME RF, FF
Top flange:	EN ISO 5211
Marking:	EN 19
Tightness check:	EN 12266 (Leakage rate A) ISO 5208, Category 3
Temperature range:	-40°C bis +200°C (depending on seat material)
Operating pressure:	max. 10 bar

FEATURES

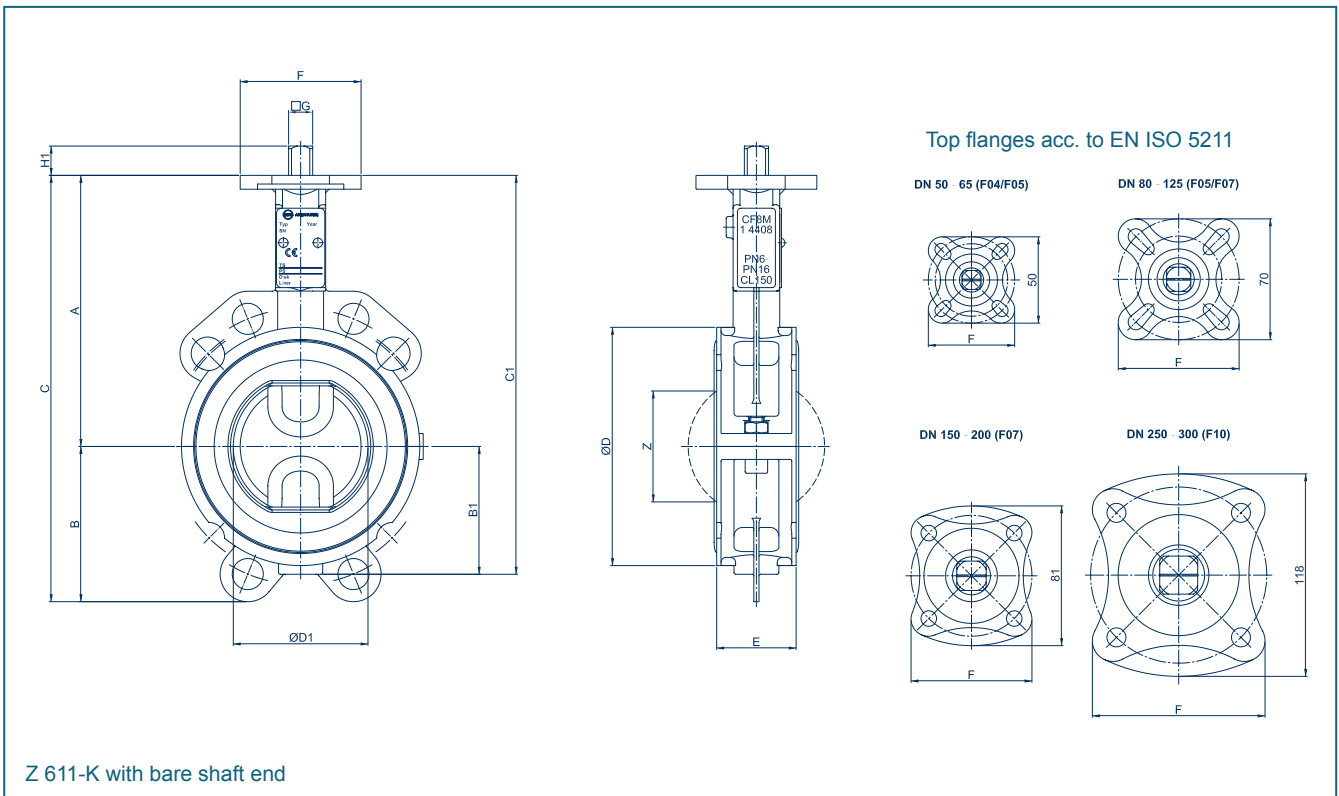
- One piece disc/shaft, centric bearing
- Split body with stainless steel screws
- Insulation height as per plant regulations
- Can be installed in any desired position
- Triple shaft bearing
- Disc's sealing surface mirror polished
- Materials complying with FDA standards available
- Can be disassembled, material-specific recycling possible

GENERAL APPLICATIONS

- Food and beverage industry



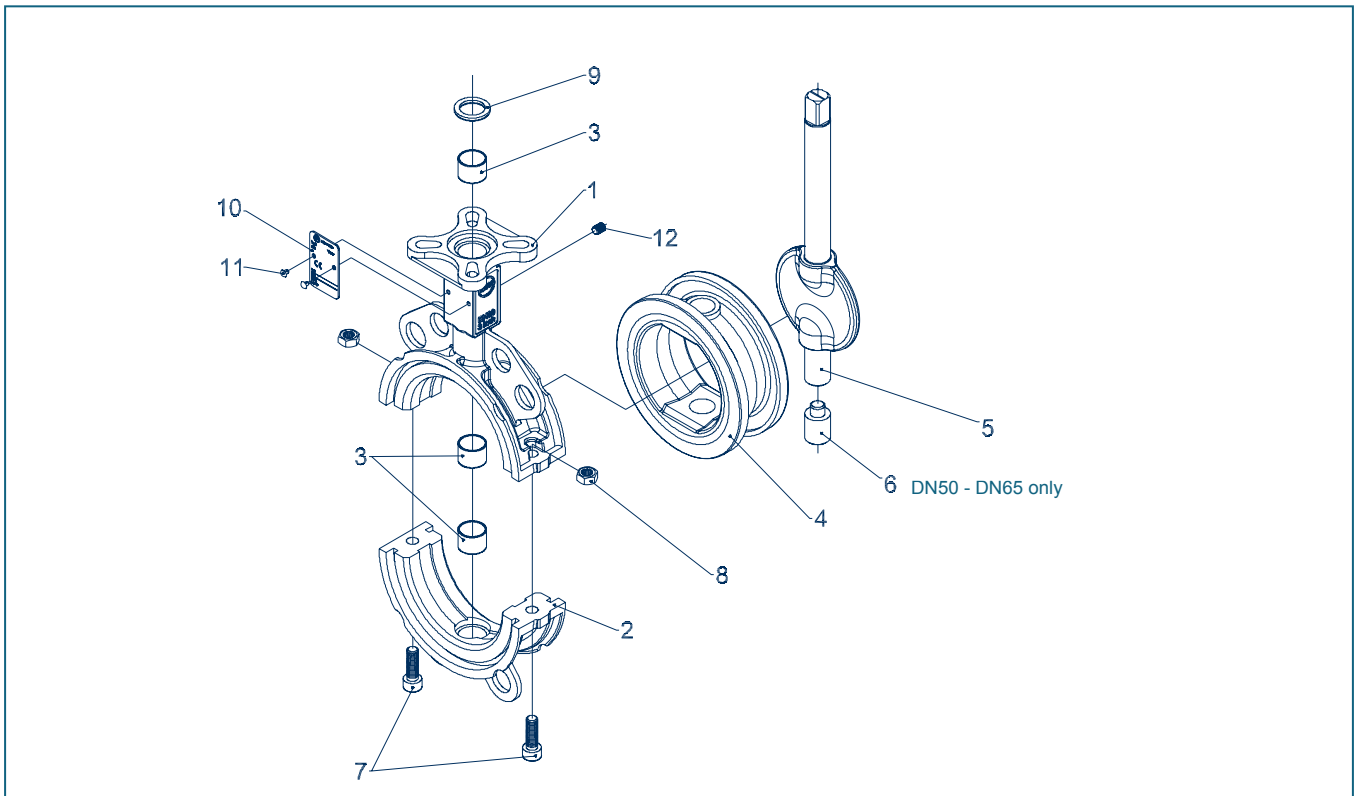
WAFER TYPE BUTTERFLY VALVE Z 611-K



DN [mm]	Size [in]	Dimensions [mm]											Weight [kg]	
		A	B	B1	C	C1	ØD	ØD1	E	F	□G	H1		Z
50	2	126	-	68	-	194	106	49	43	50	11	13,5	25	1,8
65	2½	134	83	77	217	211	120	64	46	50	11	13,5	45	2,2
80	3	157	90	74	247	231	138	79	46	70	14	17,0	64	2,9
100	4	167	104	84	271	251	160	99	52	70	14	17,0	84	3,6
125	5	180	118	98	298	278	190	124	56	70	14	17,0	110	4,8
150	6	203	130	132	333	335	215	149	56	70	17	20,0	138	6,3
200	8	228	161	157	389	385	269	199	60	70	17	20,0	189	10,3
250	10	266	195	195	461	461	324	249	68	100	22	23,5	239	18,5
300	12	291	229	220	520	511	380	297	78	100	22	23,5	286	25,0

Subject to change without notice

WAFER TYPE BUTTERFLY VALVE Z 611-K



Pos.	Description	Material	Material-Nr.	ASTM	Pos.	Description	Material	Material-Nr.	ASTM
1	Upper body				6	Lower shaft stub			
		Stainless Steel	1.4408	CF8M			Stainless Steel	1.4469	
2	Lower body				7	Screw			
		Stainless Steel	1.4408	CF8M			Stainless Steel	A4-70	B8M
3	Bearing bush				8	Hex- nut			
		Steel / PTFE					Stainless Steel	A4	
4	Seat				9	Wiper ring			
	NBR	Nitrile butadiene rubber					PTFE		
	EPDM	Ethylene propylene diene monomer rubber			10	Type plate			
	CSM	Chlorosulfonated polyethylene rubber					Stainless Steel	1.4301	
	FPM	Fluorocarbon rubber			11	Round head grooved pin			
	VSI	Silicon rubber					Stainless Steel	A2	
	SBR-green	Styrene butadiene rubber			12	Screw			
5	Disc/ Shaft						Stainless Steel	A4	
		Stainless Steel	1.4469						

Subject to change without notice

WAFER TYPE BUTTERFLY VALVE Z 611-K

TORQUE

- The values listed in the table are initial breakaway torques, taken with liquids and lubricant media.

- Please regard these as approximate values, as the objective value depends on different factors like pressure, medium, rubber, quality, temperature ... etc.

- Our engineers look forward to help you with exact values for your application.

- Powdery (non-lubricant) media
Md x 1,3

- Dry gases/high viscous media
Md x 1,2

DN [mm]	50	65	80	100	125	150	200	250	300
Size [in]	2	2½	3	4	5	6	8	10	12
MD [Nm]*	9	18	18	28	45	78	140	200	280

*measured at 10 bar operating pressure

All values in Nm

K_v-VALUES

- The K_v-value [m³ per hour] is the flow of water at a temperature of 5°C to 30°C (41°F to 86°F) at Δp of 1 bar

- The K_v-values specified are based on tests carried out by the Delfter Hydraulics Laboratories, the Netherlands

- Permissible velocity of flow
V_{max} 4,5 m/s for liquids,
V_{max} 70 m/s for gases

- The throttle function is linear at an angle 30° to 70°

- Avoid cavitation

For further values, please contact our engineers.

DN [mm]	Size [in]	Opening angle α°							
		20°	30°	40°	50°	60°	70°	80°	90°
50	2	3,84	10,1	20,7	34,4	49,7	65,2	79,5	91,2
65	2½	9,5	16,6	39,1	72,6	113	157	199	235
80	3	15,6	20,6	51,4	102	165	234	304	368
100	4	24,9	39,8	96,5	183	288	398	503	589
125	5	51,8	67,2	135	256	428	652	926	1250
150	6	76,5	97,3	197	375	629	957	1360	1830
200	8	137	187	373	697	1160	1760	2510	3400
250	10	227	271	563	1090	1850	2830	4010	5390
300	12	287	409	820	1550	2610	4050	5880	8120

Subject to change without notice