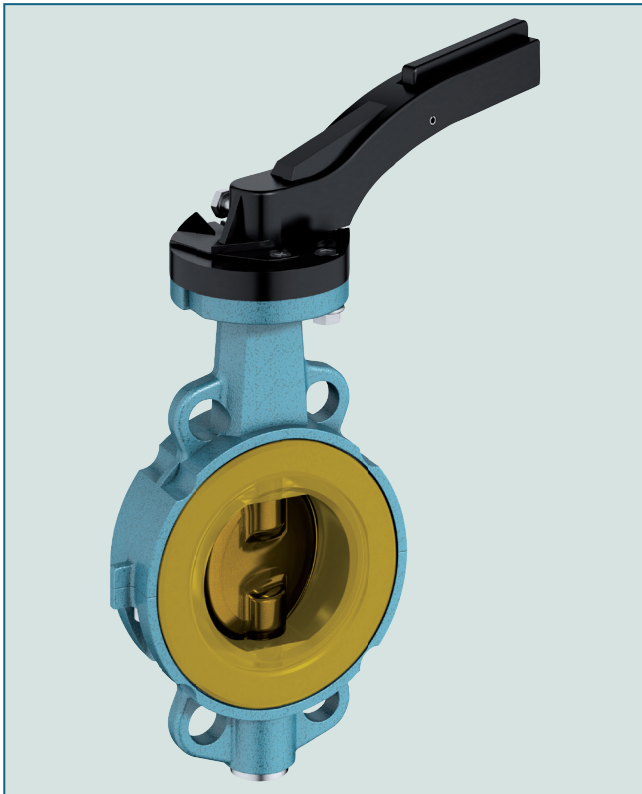


WAFER TYPE BUTTERFLY VALVE Z 011-GMX



Wafer type butterfly valve with special lining and disc for abrasive media.

TECHNICAL DATA

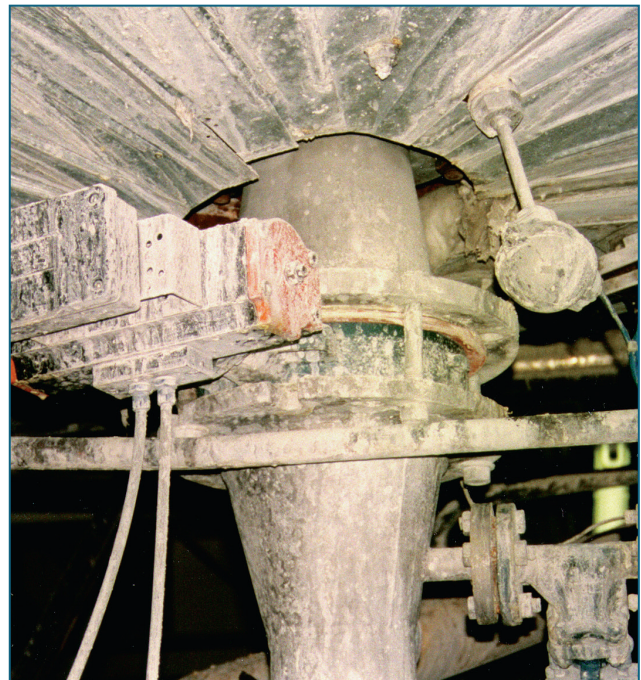
Nominal diameter:	DN 50 - DN 300
Face-to-face:	EN 558 Series 20 ISO 5752 Series 20 API 609 Table 1
Flange accommodation:	EN 1092 PN 10 ASME Class 150
Flange Surface Design:	EN 1092 Form A/B ASME RF, FF
Marking:	EN 19
Tightness check:	EN 12266 (Leckrate A) ISO 5208, Category 3
Temperature range:	-10°C to +90°C (depending on pressure, medium and material)
Operating pressure:	max. 6 bar

FEATURES

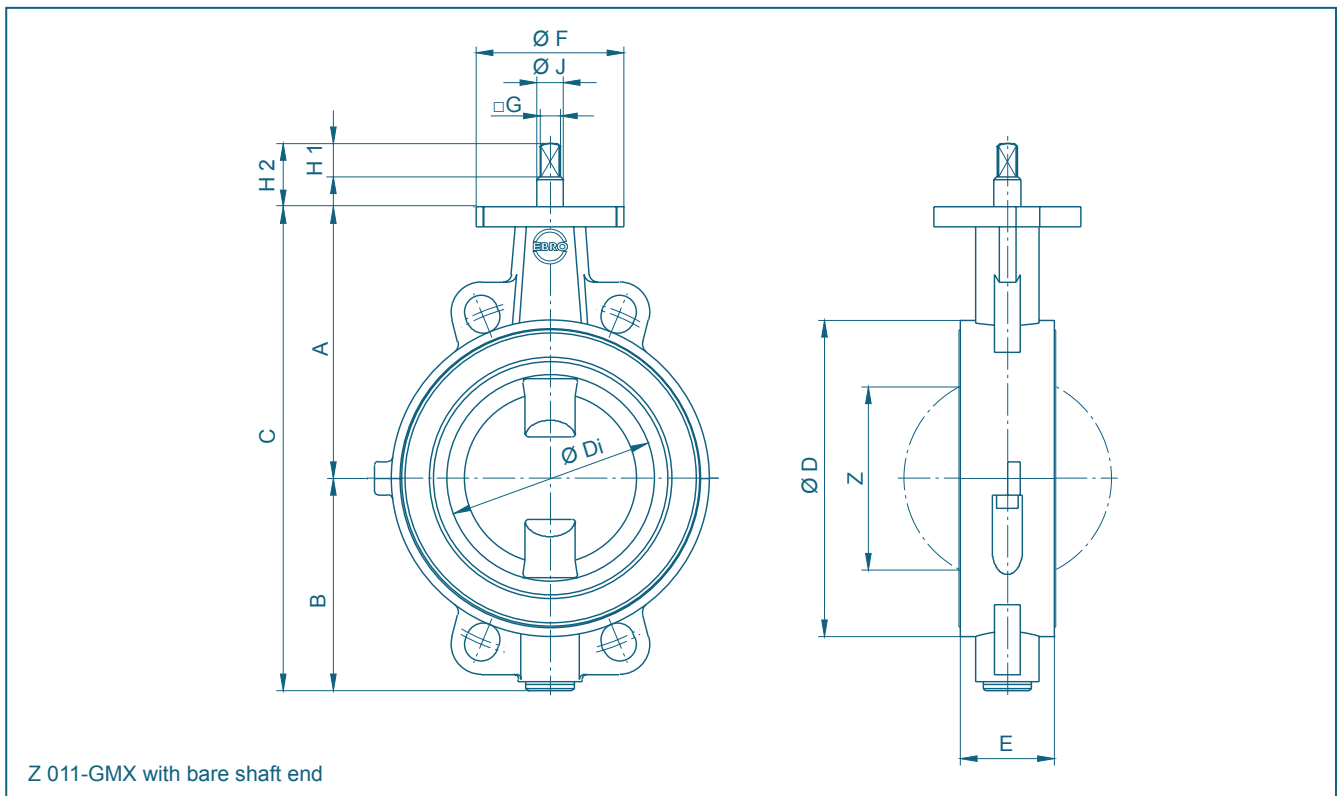
- Shut-off and controlling of strong abrasive media, e.g. sand, cement, flue ash
- High abrasion strength of valve disc and seal
- Two-part body
- Triple shaft bearings prevent shaft deflection and guarantee optimum guidance even after many years of operational service
- Absolutely tight sealing with flow in either direction
- Can be installed in any desired position
- Maintenance-free
- Can be disassembled, material specific recycling possible

GENERAL APPLICATIONS

- Bulk handling technology
- Weighting technology
- Pneumatic conveying systems



WAFER TYPE BUTTERFLY VALVE Z 011-GMX

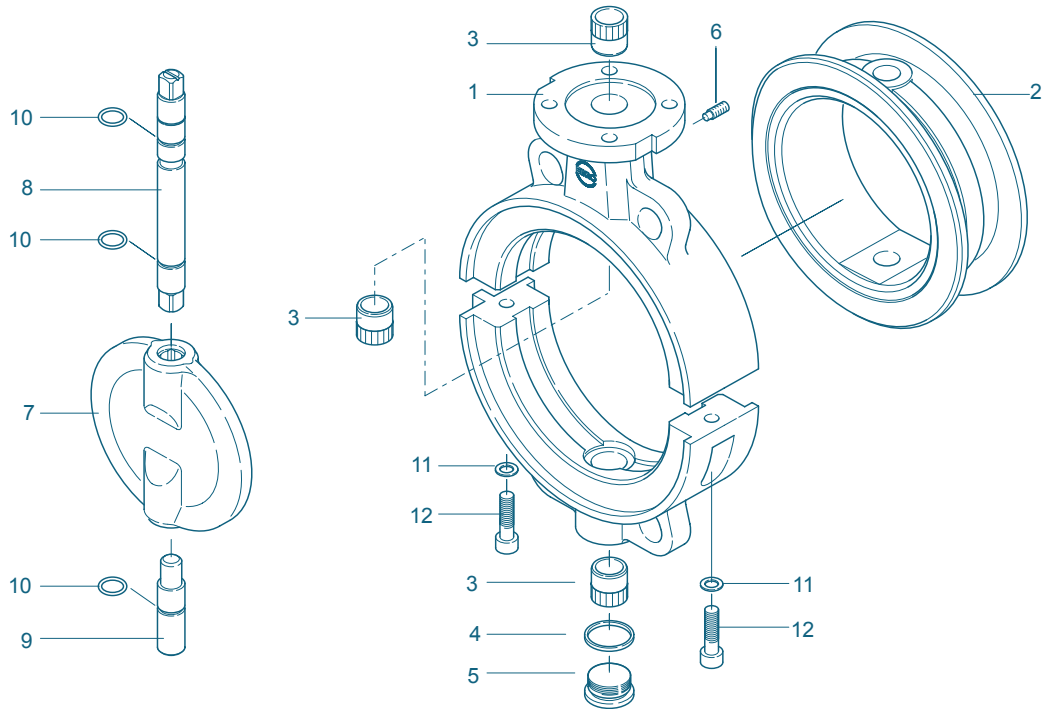


DN [mm]	Size [in]	Dimensions [mm]													Weight [kg]
		A	B	C	D	Di	E	F	Flange	G	H1	H2	J	Z	
50	2	126	84	210	105	49	43	90	F07	12	20	38	16	24	1,6
65	2½	134	93	227	125	64,3	46	90	F07	12	20	38	16	45	1,9
80	3	140	104	244	140	78,2	46	90	F07	12	20	38	16	64	2,2
100	4	150	115	265	160	98,6	52	90	F07	12	20	38	16	84	2,8
125	5	163	127	290	190	123,6	56	90	F07	12	20	38	16	111	3,5
150	6	193	150	343	217	148,5	56	90	F07	16	20	38	20	138	4,6
200	8	218	176	394	272	198,2	60	90	F07	16	20	38	20	190	6,8
250	10	266	212	478	327	250	68	125	F10	24	20	38	30	240	12,3
300	12	293	237	530	377	297	78	125	F10	24	20	38	30	289	17,0

Subject to change without notice

WAFER TYPE BUTTERFLY VALVE Z 011-GMX

MATERIAL SPECIFICATION AND PARTS LIST



Pt.	Description	Material	Material-No.	ASTM	Pt.	Description	Material	Material-No.	ASTM
1	Body				7	Disc			
	Aluminiumalloy	G-AlSi10Mg	3.2381	361.1		Stainless Steel	G-X6CrNiMo18-10	1.4401	CF8M
2	Seat					Coating	GMX Polyurethane		
	GMX	Polyurethane			8/9	Shaft			
3	Bearing sleeve					Stainless Steel	X14CrMoS17	1.4104	430 F
	Brass	MS 58	2.0401	B 45			X5/(X2)CrNiMo17-12-2	1.4401/1.4404	316
4	Seal DIN 7603				10	O-ring			
	Copper	Cu		Copper		NBR	Nitrile butadiene rubber		
5	Plug screw DIN 908				11	Washer			
	Stainless Steel	G-X6CrNiMo18-10		CF8M		Stainless Steel	X5CrNiM17-12-2	1.4401	316
6	Set screw DIN 915				12	Screw			
	Steel	45 H galvanized	1.4408			Stainless Steel	A2-70		B 8
	Stainless Steel	A4-70		B8M			A4-70		B8M
						Other materials upon request			

Subject to change without notice

WAFER TYPE BUTTERFLY VALVE Z 011-GMX

TORQUE

- The values listed in the table are initial breakaway torques, taken with liquids and lubricant media.

- Please regard these as approximate values, as the objective value depends on different factors like pressure, medium, rubber, quality, temperature ... etc.

- Our engineers look forward to help you with exact values for your application.

- Powdery (non-lubricant) media
Md x 1,3

- Dry gases/high viscous media
Md x 1,2

DN [mm]	Size [in]	Adapted Disc Size Pressure Rating	
		6 bar disc	
50	2	16	
65	2½	21	
80	3	25	
100	4	43	
125	5	73	
150	6	145	
200	8	260	
250	10	367	
300	12	667	

All values in Nm

K_v-VALUES

- The K_v-value [m³ per hour] is the flow of water at a temperature of 5°C to 30°C (41°F to 86°F) at Δp of 1 bar

- The K_v-values specified are based on tests carried out by the Delfter Hydraulics Laboratories, the Netherlands

- Permissible velocity of flow
V_{max} 4,5 m/s for liquids,
V_{max} 70 m/s for gases

- The throttle function is linear at an angle 30° to 70°

- Avoid cavitation

For further values, please contact our engineers.

DN [mm]	Size [in]	Opening angle α°							
		20°	30°	40°	50°	60°	70°	80°	90°
50	2	3,84	10,1	20,7	34,4	49,7	65,2	79,5	91,2
65	2½	9,5	16,6	39,1	72,6	113	157	199	235
80	3	15,6	20,6	51,4	102	165	234	304	368
100	4	24,9	39,8	96,5	183	288	398	503	589
125	5	51,8	67,2	135	256	428	652	926	1250
150	6	76,5	97,3	197	375	629	957	1360	1830
200	8	137	187	373	697	1160	1760	2510	3400
250	10	227	271	563	1090	1850	2830	4010	5390
300	12	287	409	820	1550	2610	4050	5880	8120

Subject to change without notice