

PNEUMATIC ACTUATOR SC



This series of linear pneumatic actuators is designed to automate knife gate valves. Available in 6 sizes and different stroke lengths.

TECHNICAL DATA

Design:	Double-acting pneumatic linear actuator
Diameter of cylinder barrel:	Ø 100 mm Ø 125 mm Ø 160 mm Ø 200 mm Ø 250 mm Ø 320 mm
Stroke:	90 mm up to 1030 mm
Supply pressure:	max. 10 bar
Temperature range:	Standard: -30 to +100 °C High and low temperature design on request
Power range:	4524 N - 46322 N (at 6 bar)
Namur Interface:	NAMUR, VDI / VDE 3845
Air supply:	clean and dry compressed air acc. to ISO 8573-1: 2010 min. class 3 Other supply media on request
Surface:	Body: anodized Cover: powder-coated
Approval:	Following the requirements of DIN EN 15714-3

FEATURES:

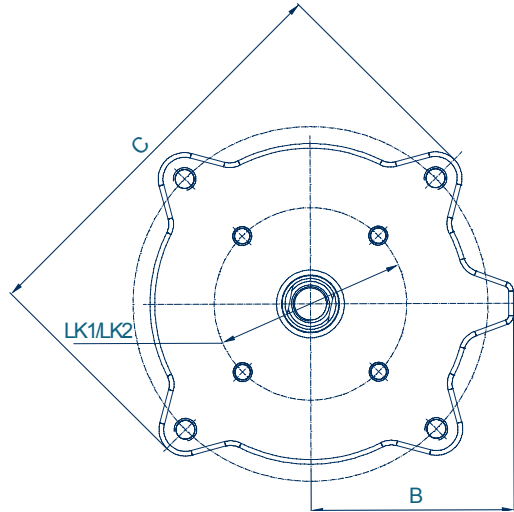
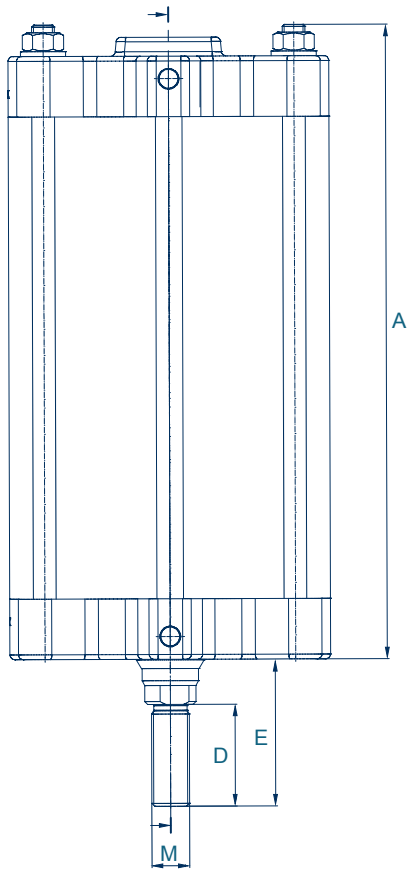
- Integrated groove for limit switches acc. to ISO 15552 for touchless position indication with magnetic piston (Standard up to SC 200)
- Integrated Namur interface for direct mounting of solenoid valves and air ducts reduce mounting and piping efforts to a minimum
- Sturdy piston rod includes wiper ring in bottom end cap
- Precision guided and multiple supported piston and piston rod ensure a linear stroke
- Low maintenance by lifetime lubrication
- Body: Made of anodized aluminium for best corrosion protection, minimum wear and optimal sliding properties
- Cover and extruded aluminium cylinder in combination with stainless steel tie rods, form a compact and stable design for versatile applications
- ATEX: CE II 2G Ex h T6 X Gb
CE II 2D Ex h IIIC T80°C X Db



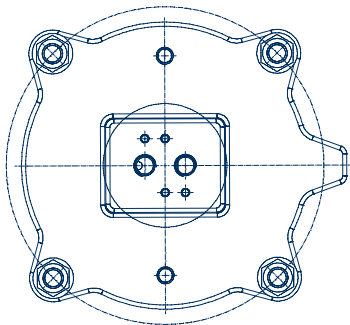
Namur interface on the top of the actuator.

PNEUMATIC ACTUATOR SC

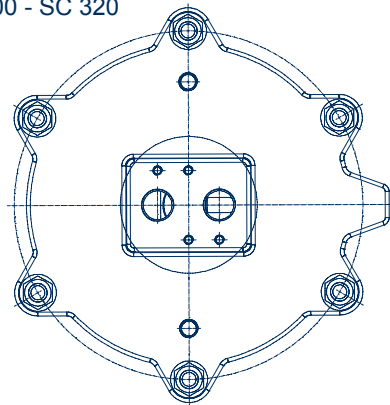
SC 100 - SC 320



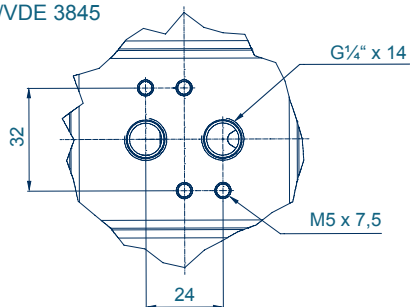
SC 100 - SC 160



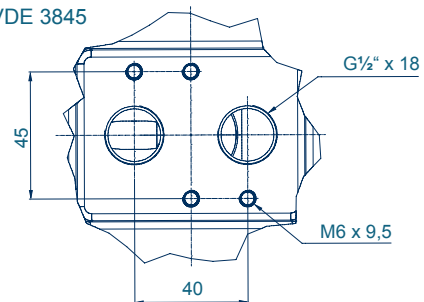
SC 200 - SC 320



Namur Interface
VDI/VDE 3845



Namur interface
VDI/VDE 3845



PNEUMATIC ACTUATOR SC

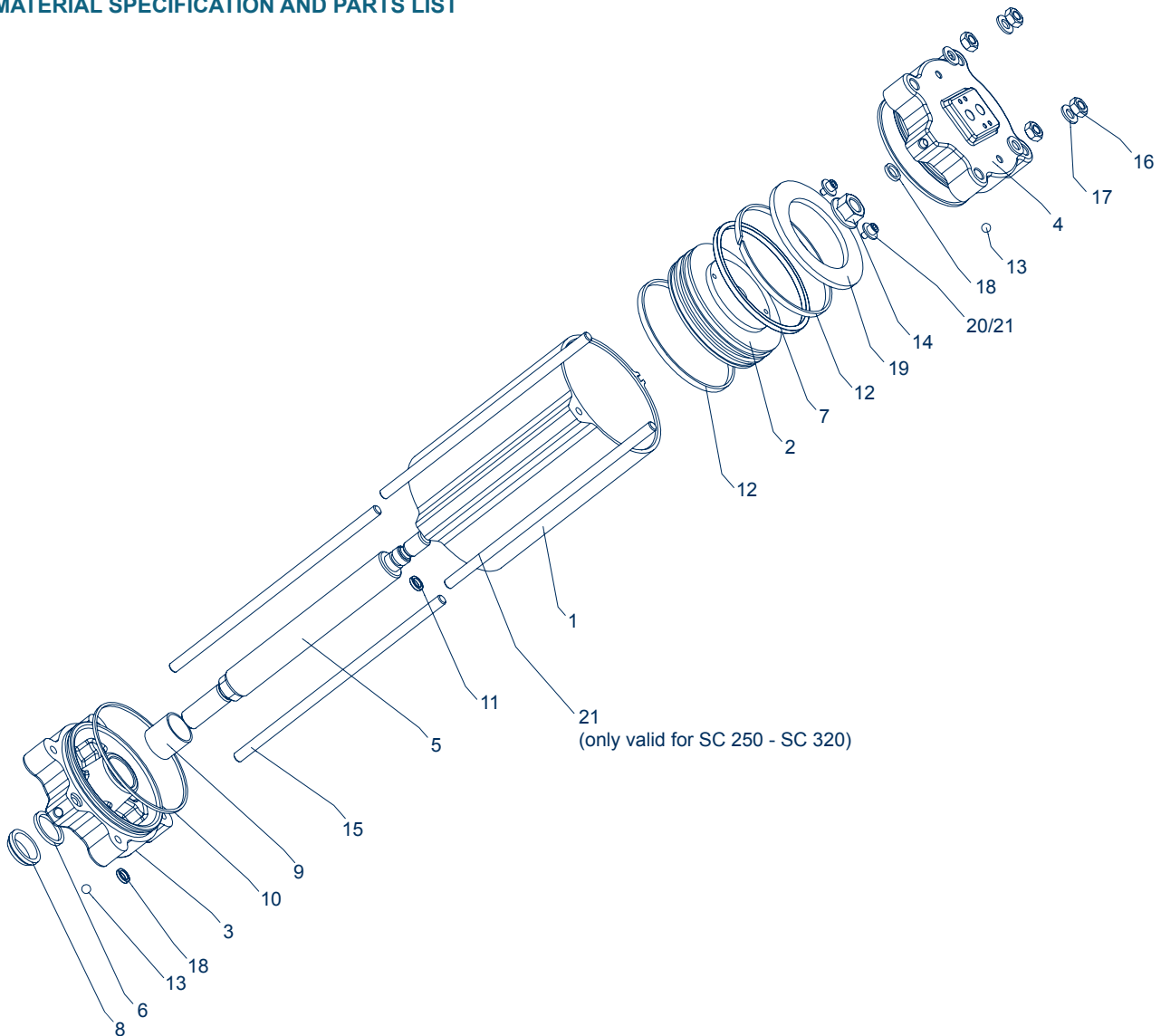
Type SC	Stroke length [mm]	Dimensions [mm]								Weight [kg]	Filling volume in NL / Stroke at 1 atm
		A	B	C	D	E	M	LK1	LK2		
100	90	219,0	72,0	148	32	48	M16 x 1,5	F07	-	3,4	1,87
100	115	244,0	72,0	148	32	48	M16 x 1,5	F07	-	3,6	2,27
100	140	269,0	72,0	148	32	48	M16 x 1,5	F07	-	3,8	2,65
100	165	294,0	72,0	148	32	48	M16 x 1,5	F07	-	4,0	3,04
125	90	232,0	88,0	176	54	78	M20 x 1,5	F10	-	5,5	2,66
125	115	255,0	88,0	176	54	78	M20 x 1,5	F10	-	5,9	3,40
125	140	280,0	88,0	176	54	78	M20 x 1,5	F10	-	6,3	4,02
125	165	305,0	88,0	176	54	78	M20 x 1,5	F10	-	6,6	4,62
160	90	263,0	107,5	216	54	78	M20 x 1,5	F10	-	8,9	4,50
160	115	286,0	107,5	216	54	78	M20 x 1,5	F10	-	9,4	5,75
160	140	311,0	107,5	216	54	78	M20 x 1,5	F10	-	9,6	6,80
160	165	336,0	107,5	216	54	78	M20 x 1,5	F10	-	10,0	7,79
160	215	386,0	107,5	216	54	78	M20 x 1,5	F10	-	11,2	9,77
160	270	441,0	107,5	216	54	78	M20 x 1,5	F10	-	11,9	11,95
160	320	491,0	107,5	216	54	78	M20 x 1,5	F10	-	12,8	13,92
200	140	341,5	130,0	256	72	102	M30 x 1,5	F10	F14	16,1	10,43
200	165	366,5	130,0	256	72	102	M30 x 1,5	F10	F14	16,8	12,30
200	215	412,5	130,0	256	72	102	M30 x 1,5	F10	F14	18,0	16,01
200	270	467,5	130,0	256	72	102	M30 x 1,5	F10	F14	19,4	19,43
200	320	517,5	130,0	256	72	102	M30 x 1,5	F10	F14	20,7	22,51
200	350	547,5	130,0	256	72	102	M30 x 1,5	F10	F14	21,5	25,16
200	400	597,5	130,0	256	72	102	M30 x 1,5	F10	F14	22,8	27,43
200	423	624,5	130,0	256	72	102	M36 x 2	F10	F14	23,4	29,00
200	450	647,5	130,0	256	72	102	M36 x 2	F10	F14	24,3	30,51
200	550	747,5	130,0	256	72	102	M36 x 2	F10	F14	26,9	36,66
250	215	461,0	163,0	322	72	102	M30 x 1,5	F10	F14	28,9	21,89
250	270	516,0	163,0	322	72	102	M30 x 1,5	F10	F14	30,7	27,49
250	320	566,0	163,0	322	72	102	M30 x 1,5	F10	F14	32,4	32,58
250	350	596,0	163,0	322	72	102	M30 x 1,5	F10	F14	33,4	37,83
250	400	646,0	163,0	322	72	102	M30 x 1,5	F10	F14	35,0	42,67
250	450	696,0	163,0	322	72	102	M36 x 2	F10	F14	36,9	47,52
250	500	746,0	163,0	322	72	102	M36 x 2	F10	F14	38,6	52,37
250	525	771,0	163,0	322	72	102	M36 x 2	F10	F14	39,4	55,00
250	630	876,0	163,0	322	72	102	M36 x 2	F10	F14	42,9	62,68
250	800	1046,0	163,0	322	72	102	M36 x 2	F10	F14	48,5	81,44
320	320	577,0	201,5	406	72	102	M30 x 1,5	F10	F14	50,2	58,37
320	500	757,0	201,5	406	72	102	M36 x 2	F10	F14	58,7	87,09
320	575	832,0	201,5	406	72	102	M36 x 2	F10	F14	62,1	99,06
320	700	957,0	201,5	406	72	102	M36 x 2	F10	F14	67,9	119,01
320	715	972,0	201,5	406	72	102	M36 x 2	F10	F14	68,6	121,41
320	800	1057,0	201,5	406	72	102	M36 x 2	F10	F14	72,5	134,97
320	1030	1287,0	201,5	406	72	102	M36 x 2	F10	F14	83,2	171,68

Type SC	Force / Stroke in Newton (N)									
	4 bar		4,5 bar		5 bar		5,5 bar		6 bar	
	Close	Open	Close	Open	Close	Open	Close	Open	Close	Open
100	3140	3016	3532	3393	3925	3770	4319	4147	4712	4524
125	4908	4628	5522	5207	6135	5785	6749	6364	7363	6939
160	8044	7760	9050	8730	10055	9700	11061	10670	12063	11639
200	12568	12064	14139	13572	15710	15080	17281	16588	18849	18095
250	19635	19132	22089	21523	24543	23915	26998	26306	29452	28698
320	32170	31667	36191	35626	40212	39584	44234	43542	48255	47501

Subject to change without notice

PNEUMATIC ACTUATOR SC

MATERIAL SPECIFICATION AND PARTS LIST



Pt.	Description	Material	Pt.	Description	Material
1	Cylinder tube	EN AW 6063-T66	12	Piston guide band	POM
2	Piston	EN AC 46000	13	Steel ball	1.4301
3	End cap	EN AC 46000	14	Ripp Lock nut	Steel
4	NAMUR end cap	EN AC 46000	15	Tie rod	1.4301
5	Piston rod	C45	16	Hexagon nut	1.4301
6*	X-ring for shaft	70 NBR	17	Washer	1.4301
7*	X-ring for piston	70 NBR	18*	O-ring end caps	70 NBR
8*	Wiper ring	90N	19**	Magnetic rubber	Flexo 150
9	Shaft bearing	Iglidur G	20	Cylinder head screw	A2 - 70
10*	O-ring for end cap	70 NBR	21	Washer	1.4301
11*	O-ring for shaft	70 NBR	22	Air pipe	1.4301

* Component of the sealing set

**Option for SC250/SC320

Subject to change without notice