

DIGITAL ELECTROPNEUMATIC POSITIONER EP 501



Digital Electropneumatic Positioner Type EP 501

TECHNICAL DATA

Operating voltages:	24 VDC +/- 10%
Setpoint setting:	0/4 to 20 mA and 0 to 5/10 V
Analogue feedback:	4-20 mA, 0-20 mA 0-10 V, 0-5 (optional)
Binary input:	1x galvanically isolated
Binary output:	2 Outputs (optional) galvanically separated 100 mA
Operation:	Graphic display with backlight (EP 501)
Control medium:	Neutral gases, air DIN ISO 8573-1
Installation:	As required, display above or sideways
Pilot air ports:	Threaded ports G ¼
Supply pressure:	1,4 to 7 bar
Temperature:	0 to 60°C
Actuator system:	Single- or double acting
Air capacity	$Q_{Nn} = 100 \text{ l}_N/\text{min}$ at 7 bar; $\Delta T=1\text{bar}$
Type of protection:	IP 65/67 acc. to EN 60529
Protection class:	3 acc. to VDE 0580
Conformity:	EMV2004/ 108/ EG
Position detection module:	Potentiometer, max. angle 180°
Bus communication:	Profibus DP V1 (optional)

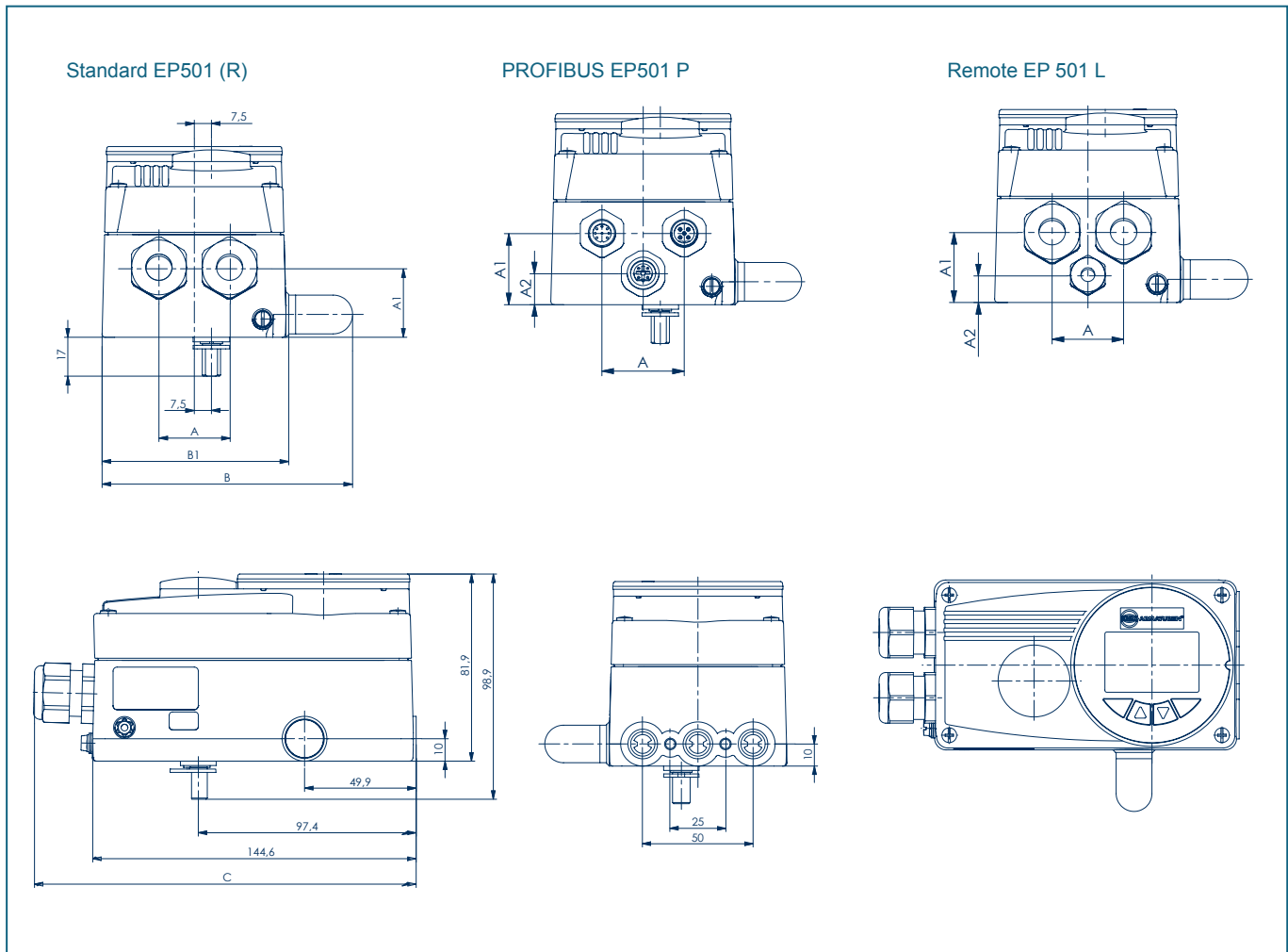
FEATURES

- Compact positioner for assembly with rotary and linear actuators
- Robust aluminium body (plastic coated)
- Cover sealings EPDM, NBR or FKM
- Position indication via digital display (EP 501) and mechanical indication
- Fits to double- and single acting actuators
- Supply pressure: max. 7 bar
- Simple and clear operation via external graphic display
- PROFIBUS DP V1 interface (optional)
- Works with all current signals
- In case of failure of electr. or pneumatic power supply, a defined safety position will be piloted



Basic version (EP 501-B) without a digital display. Stainless steel piping on request.

DIGITAL ELECTROPNEUMATIC POSITIONER EP 501



	Dimensions [mm]					
	A	A1	A2	B	B1	C
Standard	31	30	-	109,8	81,8	171,1
PROFIBUS	36	31	13,5	109,8	81,8	157,8
Remote	31	30	11,5	109,8	81,8	171,1

Type	EP 501	EP 501 R	EP 501 P	EP 501 L
Communication	no	no	Profibus DP V1	no
Electrical connection	Cable gland	Cable gland	Multipole	Cable gland
Analogue feedback	no	yes	via Bus	yes
2 Binary outputs	no	yes	yes	yes
Binary input	yes	yes	yes	yes
Control function single- and double acting	yes	yes	yes	yes
Assembly variations	NAMUR IEC 534-6 VDI/VDE 3845			Remote

Subject to change without notice