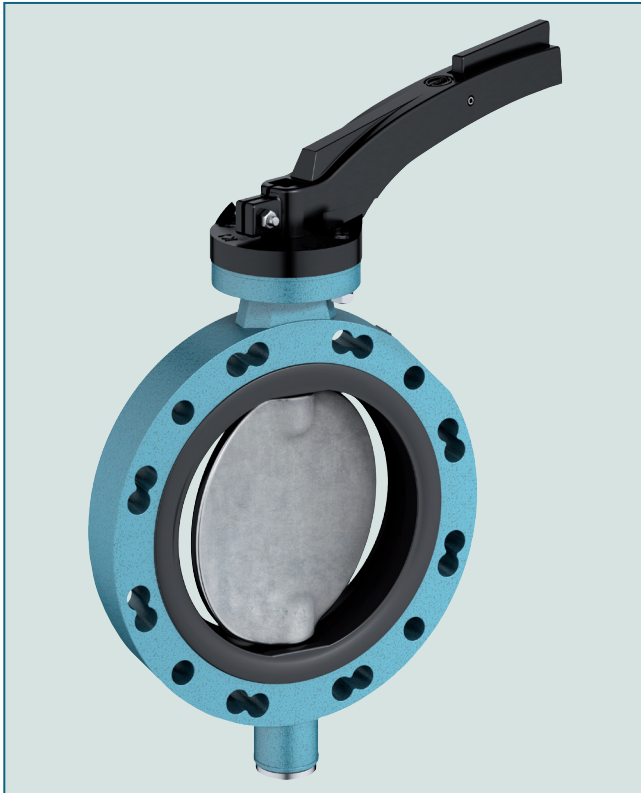


# WAFER TYPE BUTTERFLY VALVE TW 150/TW 200



Wafer type butterfly valve TW 150 with NBR-seat.

## TECHNICAL DATA

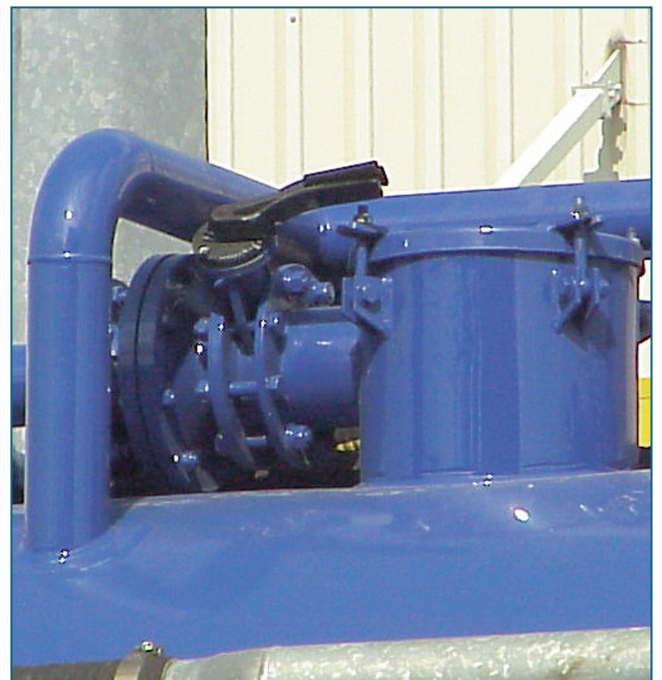
Nominal diameter:	6 inch / 8 inch
Face-to-face:	EBRO works standard
Flange accomodation:	EN 1092 flanges for lorries
Flange Surface Design:	EN 1092 Form A/B ASME RF, FF
Tightness check:	EN 12266 (Leakage rate A) ISO 5208, Category 3
Temperature range:	-4°F to +320°F (depending on pressure an medium)
Operating pressure:	max. 87 psi
Body:	Aluminiumalloy GD-AISI9Cu3 (3.2163)
Seat:	EPDM (Ethylene propylene caoutchouc) NBR (Acrylnitrile butadiene rubber) FPM (Fluorocarbon caoutchouc) AU (Polyurethane)
Disc:	Stainless Steel X5CrNi18-10 (1.4301) G-X6CrNiMo18-10 (1.4408)

## FEATURES

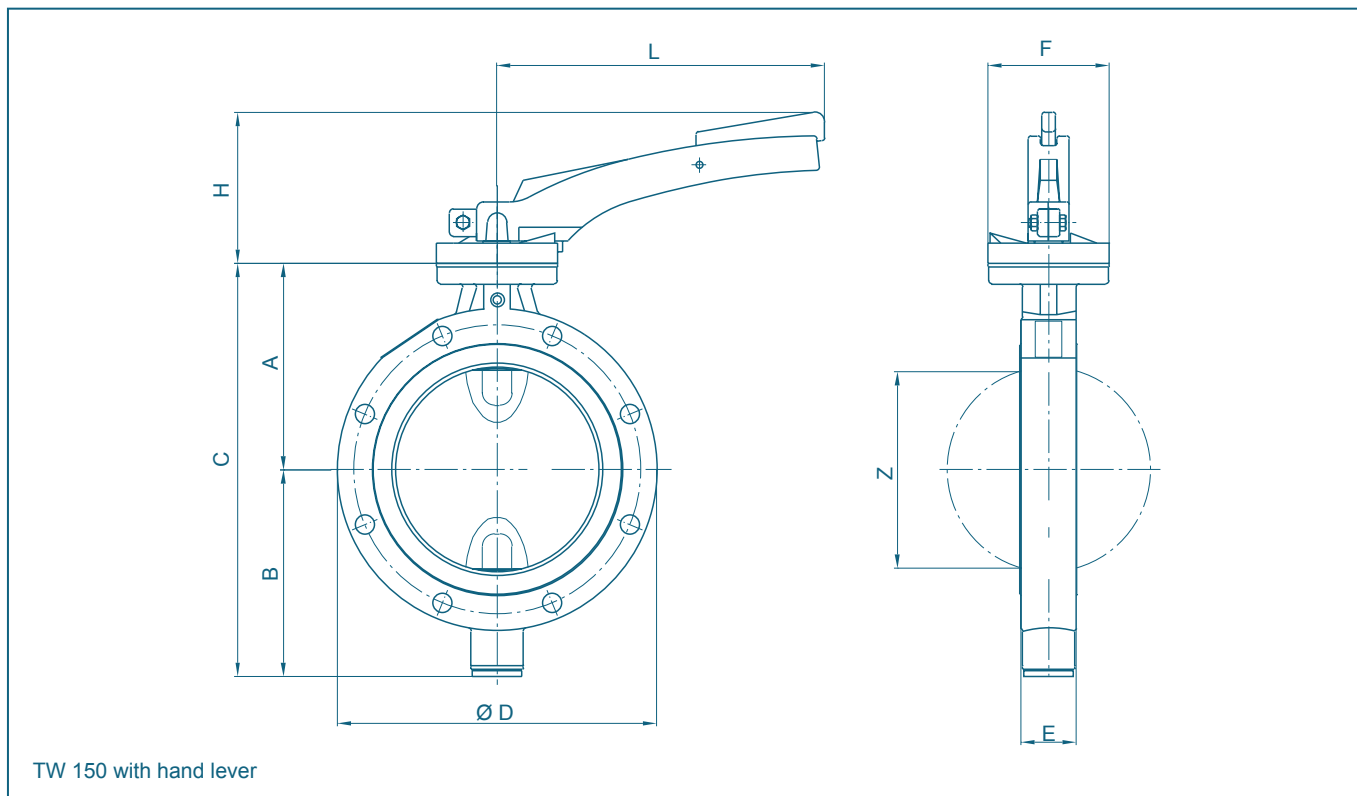
- Maintenance-free
- Triple shaft bearing
- Can be disassemble, material-specific recycling possible

## GENERAL APPLICATIONS

- Silo vehicles
- Disposal vehicles



# WAFER TYPE BUTTERFLY VALVE TW 150/TW 200



DN [mm]	Size [in]	Dimensions [in]									Weight [lb]
		A	B	C	D	E	H	L	F	Z	
150	6	7.99	5.91	13.90	9.21	1.57	4.33	9.45	3.54	5.67	9.50
200	9	8.98	6.93	15.91	10.83	1.97	4.33	9.45	3.54	7.60	13.40

Subject to change without notice