

IMPELLER VALVE FS-M



Impeller valve for shut-off and control of product streams in the bulk industry.

TECHNICAL DATA

Nominal diameter:	6 inch - 16 inch
Face-to-face:	EBRO works standard
Flange accommodation:	EN 1092 PN 6/10/16 ASME Class 150
Marking:	EN 19
Operating pressure:	max. 44 psi
Temperature range:	-4°F to +212°F, optional up to +482°F
Body:	Light metal full flange with inserted ring (stainless steel)
Impeller:	Stainless steel, optional mirror polished
Actuator:	Electric actuator 230V/400V 50Hz/60Hz, 30 min-1 to 100 min-1

FEATURES

- Maintenance-free
- Triple shaft bearing
- Can be installed in any desired position
- Safe and consistent discharge of rapid flowing products
- Noticeable reduction of demixing during discharge
- No compaction or levigation of products during charge and discharge
- Control and dosing of product streams
- Optional: Stop in zero position (sealing)
 - Right-/left rotation
 - Rotation speed control
 - Hardened rotary valve

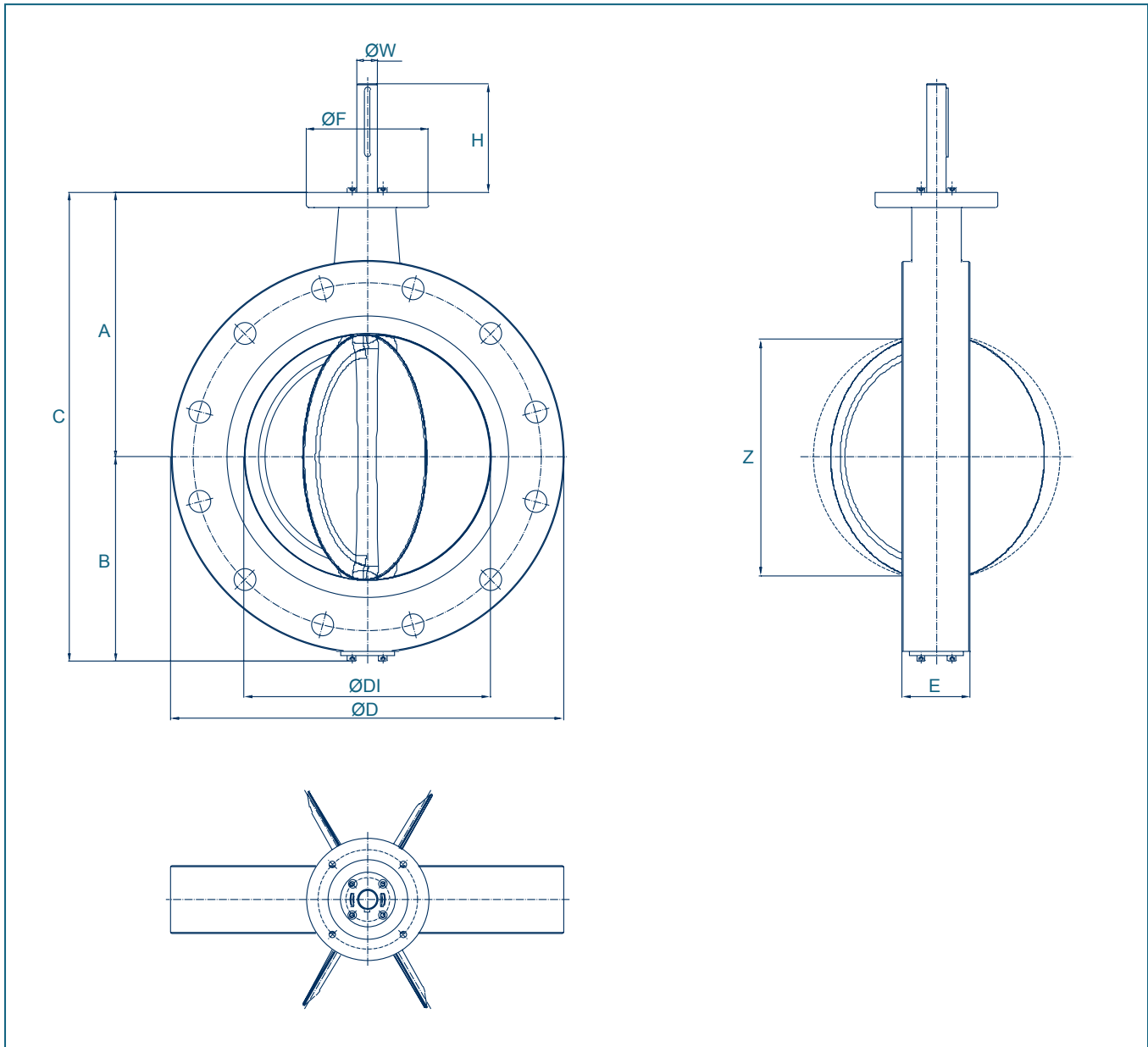
GENERAL APPLICATIONS

- Blending plants
- Silo constructions
- Granulates handling
- Weighing technology



Impeller valve in preferred position

IMPELLER VALVE FS-M



DN [mm]	Size [in]	Dimensions [in]									
		A	B	C	ØD	ØDI	E	ØF	H	ØW	Z
150	6	7.99	5.91	13.90	11.22	5.83	1.57	3.46	4.33	0.79	5.63
200	8	8.98	6.93	15.91	13.39	7.80	1.97	3.46	4.33	0.79	7.56
250	10	10.47	8.11	18.58	15.55	9.76	2.60	4.84	4.33	0.79	9.45
300	12	11.54	9.33	20.87	17.52	11.73	2.56	4.84	4.33	0.79	11.50
400	16	14.29	12.36	26.65	22.24	15.67	2.95	5.83	4.33	0.79	15.43

Subject to change without notice