

# THROTTLE VALVE CK-M



Throttle valve for clamp ring systems with pneumatic actuator type EB-SYD

## TECHNICAL DATA

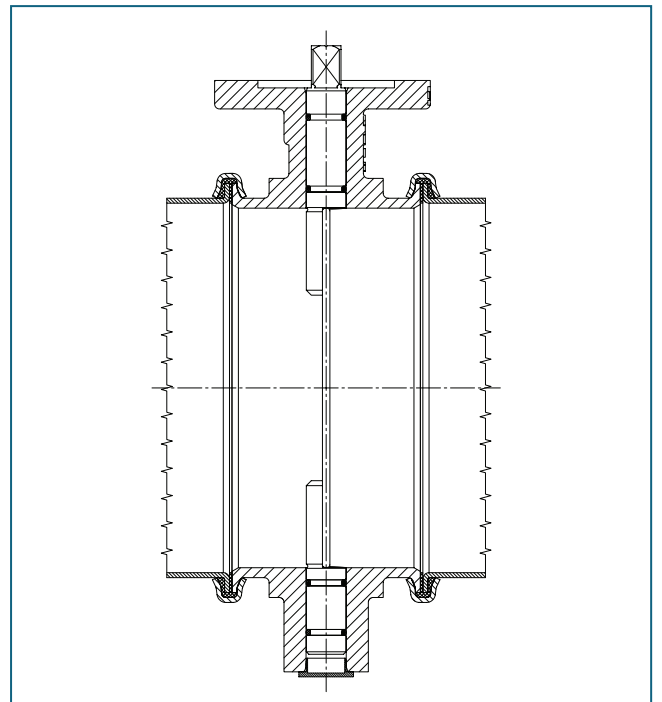
|                            |  |
|----------------------------|--|
| Nominal diameter:          | 2½ inch - 12 inch  |
| Face to face:              | EBRO works standard  |
| Top flange:                | EN ISO 5211  |
| Flange accommodation:      | Pipe system - clamp ring groove  |
| Temperature range:         | +14°F to +266°F, (optional 428°F)<br>(depending on pressure, media and actuator) |
| Operating pressure:        | max. 44 psi  |
| Body:                      | Aluminium  |
| Disc:                      | 1.4301   |
| Annular gap<br>body/ disc: | 0,1 mm to 0,5 mm, according to application                                       |
| Shaft:                     | 1.4401; 1.4571<br>other materials upon request                                   |

## FEATURES

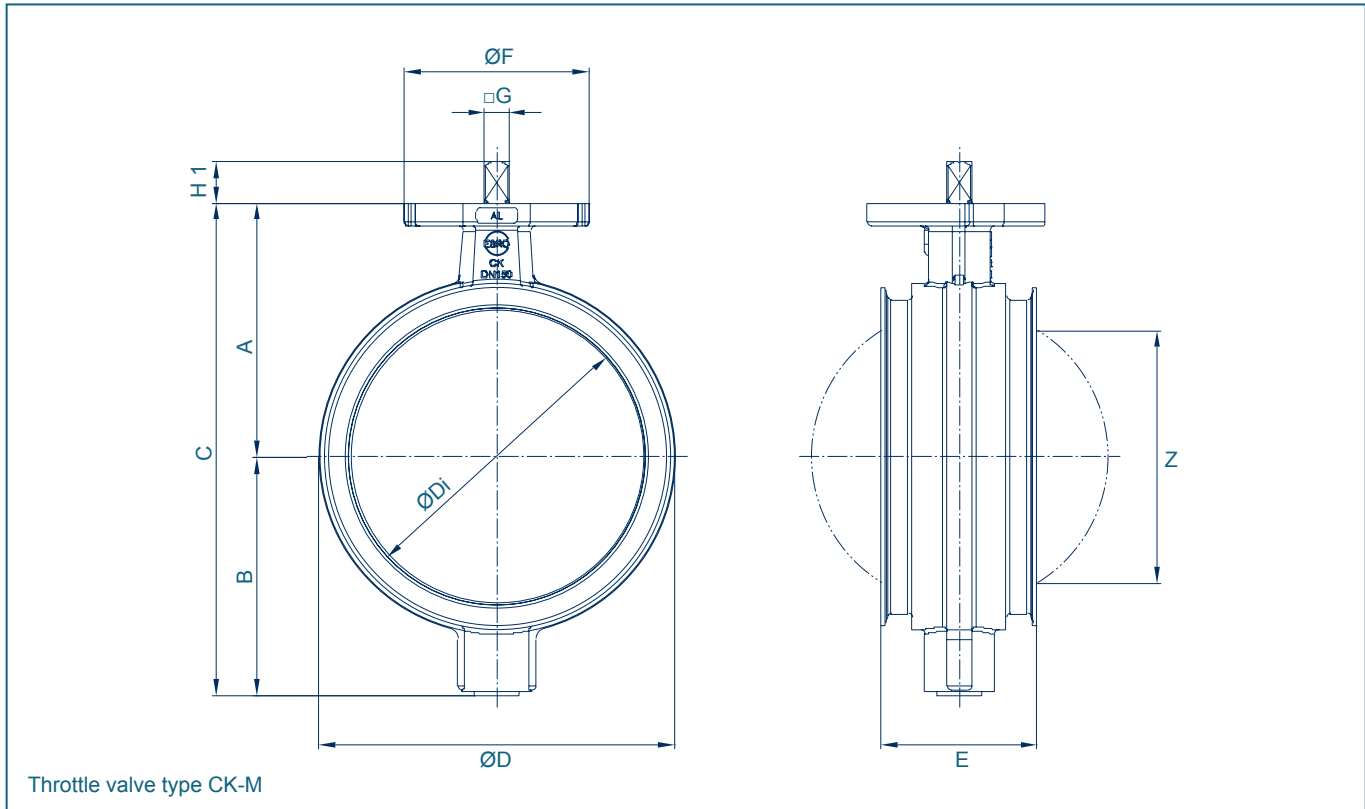
- Throttle valve for clamp ring systems with centrally mounted disc
- Body with mutual bond for clamp ring connection
- Low consumption
- Fast and easy dismantling
- Maintenance-free
- Actuators: Hand lever, electric and pneumatic actuators

## GENERAL APPLICATIONS

- Food industry
- Bulk goods
- Aspiration lines
- Dust separation
- Control of air/-gas flows (throttle valve)
- Exhaust pipes



# THROTTLE VALVE CK-M



| DN<br>[mm] | Size<br>[in] | Dimensions [in] |      |       |                 |                  |      |                 |        |      |      |       | Weight<br>[lb] |
|------------|--------------|-----------------|------|-------|-----------------|------------------|------|-----------------|--------|------|------|-------|----------------|
|            |              | A               | B    | C     | $\varnothing D$ | $\varnothing Di$ | E    | $\varnothing F$ | Flange | G    | H1   | Z     |                |
| 65         | 2½           | 3.15            | 2.36 | 5.51  | 3.15            | 2.36             | 2.36 | 2.56            | F04    | 0.43 | 0.43 | 0     | 1.50           |
| 80         | 3            | 3.39            | 2.36 | 5.75  | 3.62            | 2.83             | 2.6  | 2.56            | F04    | 0.43 | 0.43 | 1.1   | 1.50           |
| 100        | 4            | 3.82            | 3.62 | 7.4   | 4.53            | 3.74             | 2.68 | 2.56            | F05    | 0.55 | 0.55 | 2.6   | 2.60           |
| 120        | 4¾           | 4.29            | 3.94 | 8.23  | 5.31            | 4.53             | 2.83 | 3.54            | F05    | 0.55 | 0.55 | 3.54  | 3.70           |
| 150        | 6            | 4.88            | 4.53 | 9.41  | 6.5             | 5.71             | 2.99 | 3.54            | F05    | 0.55 | 0.55 | 4.84  | 4.60           |
| 200        | 8            | 7.09            | 6.26 | 13.35 | 8.46            | 7.68             | 3.35 | 3.54            | F07    | 0.67 | 0.67 | 6.93  | 9.50           |
| 250        | 10           | 8.11            | 7.24 | 15.35 | 10.43           | 9.65             | 3.35 | 3.54            | F07    | 0.67 | 0.67 | 9.06  | 12.60          |
| 300        | 12           | 9.37            | 8.46 | 17.83 | 12.4            | 11.61            | 3.35 | 3.46            | F07    | 0.67 | 0.67 | 11.14 | 20.70          |

| DN<br>[mm] | Size<br>[in] | Hand lever | Actuators                         |                                   |
|------------|--------------|------------|-----------------------------------|-----------------------------------|
|            |              |            | Pneumatic<br>Double acting EB-SYD | Pneumatic<br>Spring return EB-SYS |
| 65 - 80    | 2½ - 3       | Size I     | EB 4.1                            | EB 5.1                            |
| 100 - 200  | 4 - 8        | Size II    | EB 4.1                            | EB 5.1                            |
| 250        | 10           | Size III   | EB 6.1                            | EB 6.1                            |