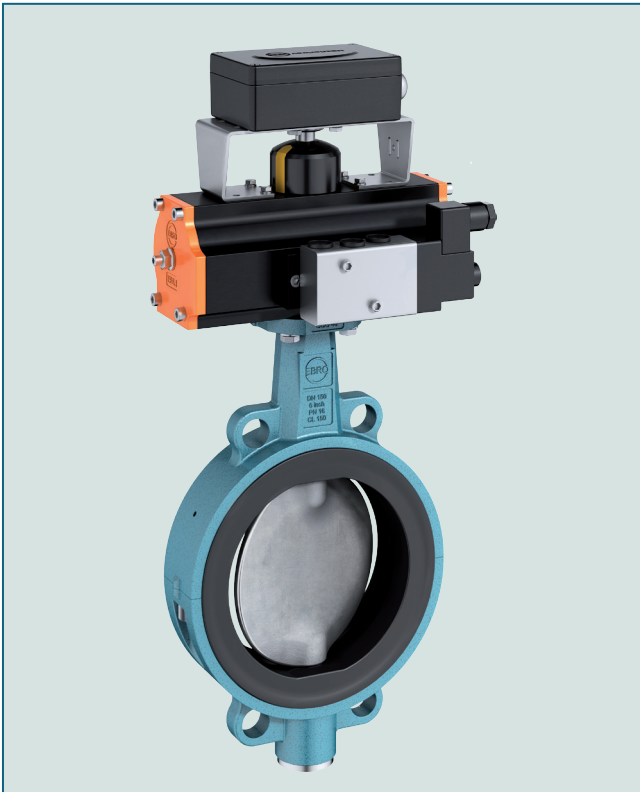


WAFER TYPE BUTTERFLY VALVE Z 611-A



Resilient seated wafer type butterfly valve for semi-corrosive media.

TECHNICAL DATA

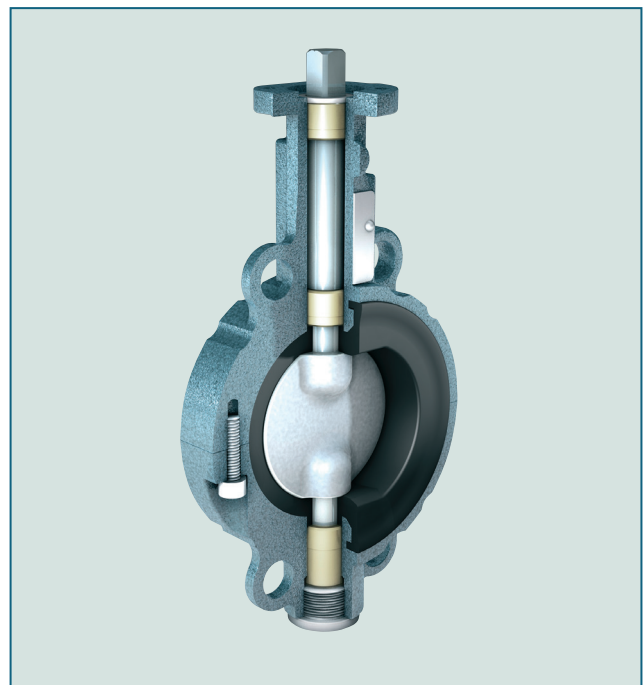
Nominal diameter:	2 inch - 12 inch
Face-to-face:	EN 558 Series 20 ISO 5752 Series 20 API 609 Table 1
Flange accommodation:	EN 1092 PN 10/16 ASME Class 150
Flange surface design:	EN 1092 Form A/B ASME RF, FF
Top flange:	EN ISO 5211
Marking:	EN 19
Tightness check:	DIN EN 12266 (Leakage rate A) ISO 5208, Category 3
Temperature range:	+14°F to +320°F (depending on pressure, medium and material)
Operating pressure:	max. 145 psi

FEATURES

- One piece disc/shaft
- Split body with stainless steel screws
- Insulation height as per plant regulations
- Optional: Special design RWTÜV certified to TA-Air/ VDI 2440
- Triple shaft bearing
- Disc's sealing surface mirror polished
- Materials complying with FDA standards available
- Can be disassembled, material-specific recycling possible

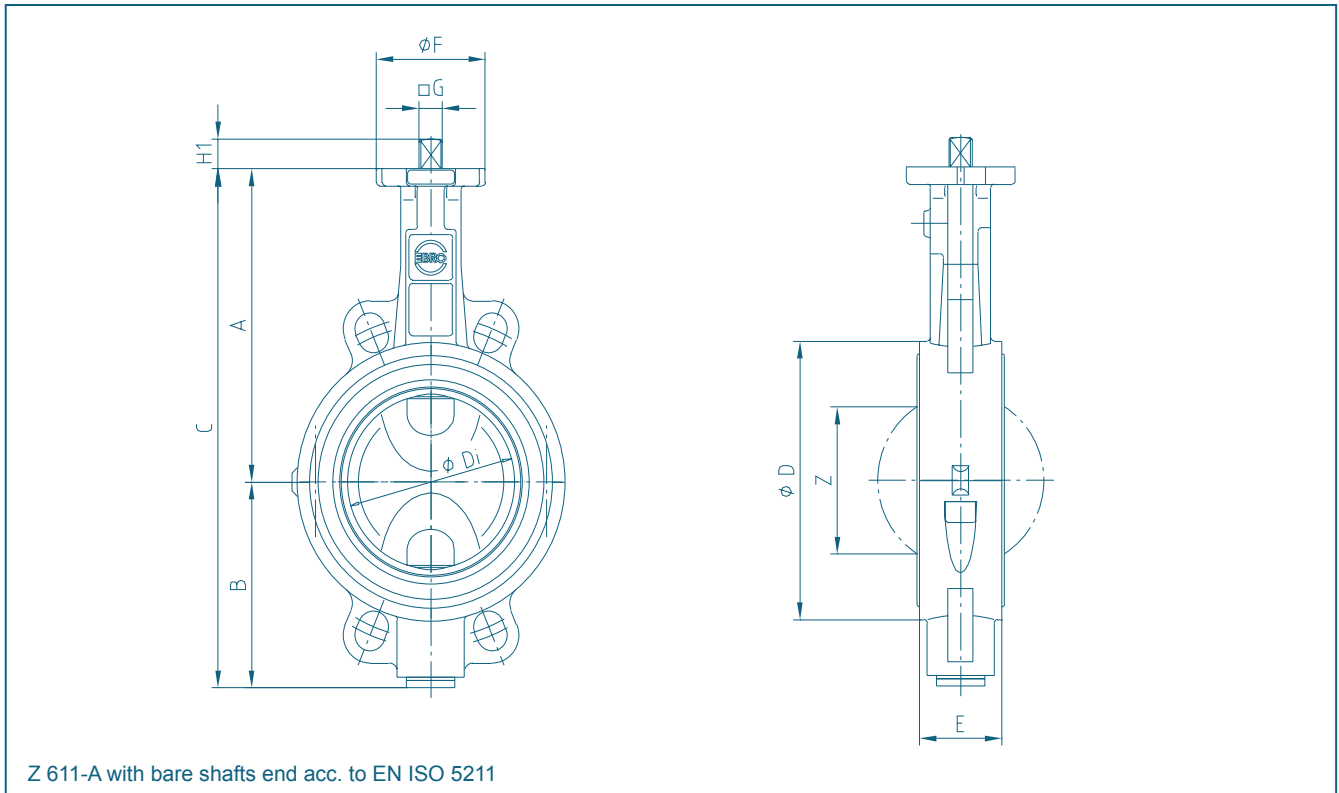
GENERAL APPLICATIONS

- Food and beverage industry
- Purification plants
- Pharmaceutical industry
- Chemical and petrochemical industry
- Water and waste water industry
- Pneumatic materials handling technology
- Shipbuilding
- Power plants
- Civil engineering
- For paint and lacquers a silicone-free version is available



The split body design allows quick and easy maintenance.

WAFER TYPE BUTTERFLY VALVE Z 611-A

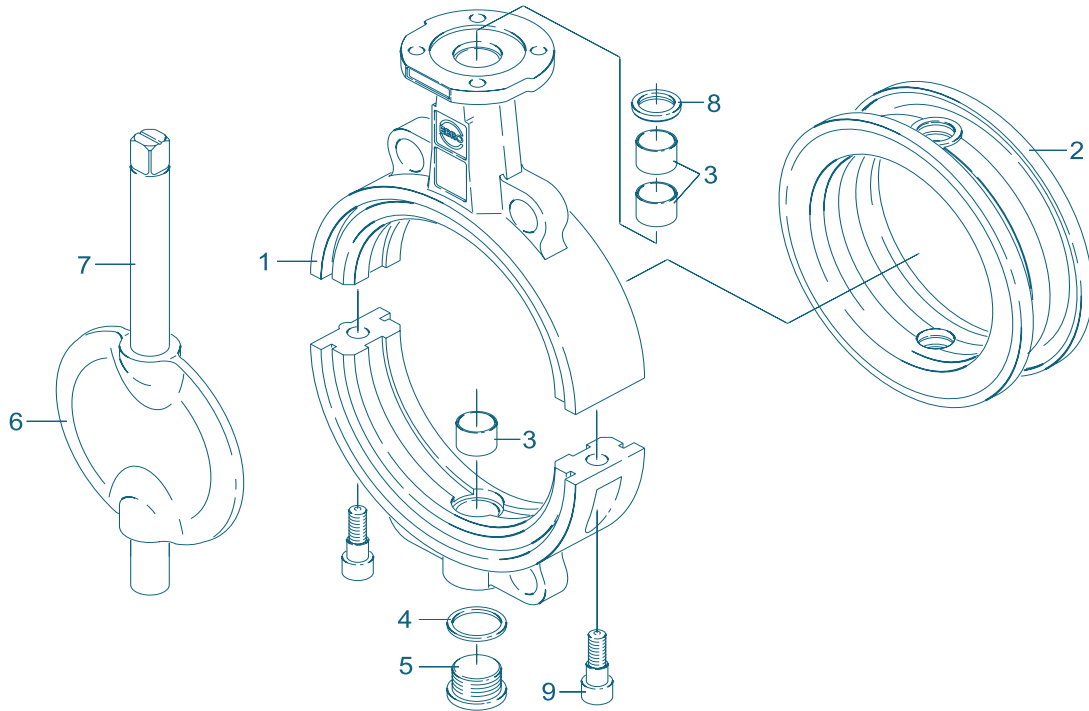


DN [mm]	Size [in]	Dimensions [in]											Weight [lb]	
		A	B	C	D	Di	E	F	Flange	G	H1	H2		Z
50	2	4.96	3.31	8.27	4.41	1.93	1.69	2.13	F04	0.43	0.53	0.75	0.98	4.90
65	2½	5.28	3.66	8.94	4.72	2.52	1.81	2.13	F04	0.43	0.53	0.75	1.77	6.40
80	3	6.18	4.09	10.28	5.43	3.11	1.81	2.56	F05	0.55	0.67	0.98	2.52	8.80
100	4	6.57	4.53	11.10	6.30	3.90	2.05	2.56	F05	0.55	0.67	0.98	3.31	11.50
125	5	7.09	5.00	12.09	7.48	4.88	2.20	2.56	F05	0.55	0.67	0.98	4.33	15.20
150	6	7.99	5.91	13.90	8.46	5.87	2.20	3.46	F07	0.67	0.79	1.18	5.43	20.90
200	8	8.98	6.93	15.91	10.59	7.83	2.36	3.46	F07	0.67	0.79	1.18	7.44	29.10
250	10	10.47	8.35	18.82	12.76	9.80	2.68	4.92	F10	0.87	0.93	1.54	9.41	49.60
300	12	11.46	9.33	20.79	14.72	11.69	3.07	4.92	F10	0.87	0.93	1.54	11.26	69.40

Subject to change without notice

WAFER TYPE BUTTERFLY VALVE Z 611-A

MATERIAL SPECIFICATION AND PARTS LIST



Pt.	Description	Material	Material No.	ASTM	Pt.	Description	Material	Material No.	ASTM
1	Body				5	Plug screw DIN 908			
	Nodular cast iron	EN-JS 1030	GGG 40	60-40-18		Stainless Steel	G-X5CrNiMo19-11-2	1.4408	CF8M
2	Seat				6/7	Shaft/Disc one piece			
	NBR	Acrylonitrile butadiene rubber				Stainless Steel	G-X2CrNiMoN26-7-4	1.4469	A 995
	EPDM	Ethylene propylene caoutchouc			8	Wiper ring			
	CSM	Chlorsulphonated polyethylene				PTFE	Polytetrafluorethylene	PTFE	PTFE
	FPM	Fluorocarbon caoutchouc			9	Screw			
	VSI	Silicone rubber				Stainless Steel	A4-70	1.4401	B8M
	AU	Polyurethane elastomer							
3	Bearing bush								
	Brass	MS 58	2.0401	B 45					
4	Seal DIN 7603								
	Copper	Cu		Copper					

Above-mentioned materials of the basic version, other materials upon request

Subject to change without notice

WAFER TYPE BUTTERFLY VALVE Z 611-A

TORQUE [lb-ins]

- The torque values specified (Md) are based on liquid and lubricant media

- Powdery (non-lubricant) media Md x 1,3

- Dry gases/high viscous media Md x 1,2

- The values specified are based on the initial breakaway torque

- Dynamic torque specification available upon request

Regarding the dimensioning of actuators, please contact our engineers.

DN [mm]	50	65	80	100	125	150	200	250	300
Size [in]	2	2½	3	4	5	6	8	10	12
Md	62	133	159	248	398	974	1239	1770	2478

C_v VALUES

- The C_v Value [US Gallon per minute] is the flow of water at a temperature of 41°F to 86°F with a pressure drop of 1 psi.

- The throttle function is linear at an angle 30° to 70°

- Avoid cavitation

For further values, please contact our engineers.

DN [mm]	Size [in]	Opening angle α°							
		20°	30°	40°	50°	60°	70°	80°	90°
50	2	1	7	15	27	41	56	73	89
65	2½	3	7	24	50	85	126	173	223
80	3	8	23	58	110	175	250	331	416
100	4	15	29	71	141	241	371	534	729
125	5	43	76	142	251	411	632	922	1292
150	6	58	109	199	352	592	942	1426	2067
200	8	74	177	371	682	1137	1762	2581	3622
250	10	205	338	653	1187	1975	3053	4456	6218
300	12	239	475	972	1771	2915	4446	6403	8831

Subject to change without notice