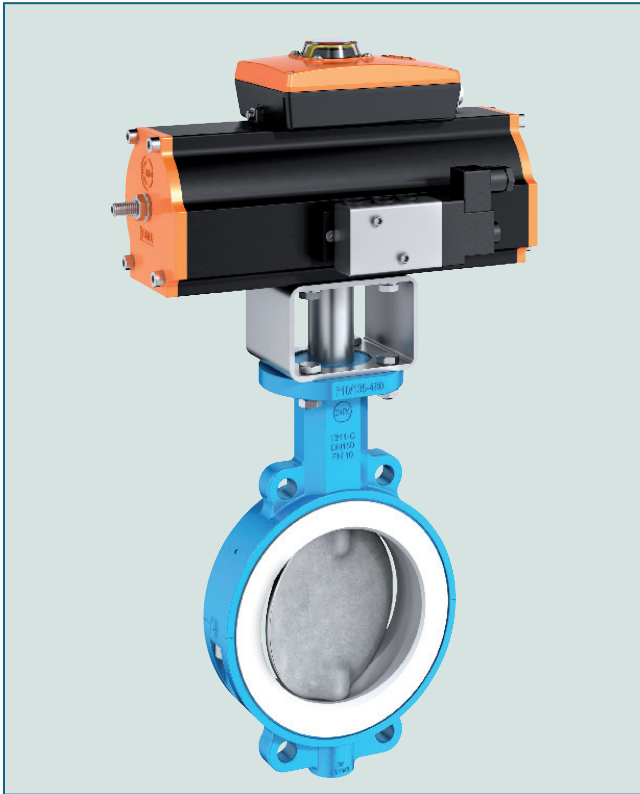


WAFER TYPE PROCESS VALVE T 211-C



PTFE-lined wafer type valve for chemically toxic and highly corrosive media.

TECHNICAL DATA

Nominal diameter:	(1½ inch) 2 inch - 12 inch
Face-to-face:	EN 558 Table 20
Flange accommodation:	EN 1092 PN 10/16 ASME Class 150
Flange Surface Design:	EN 1092 Form A/B ASME RF, FF
Top flange:	EN ISO 5211
Marking:	EN 19 PAS 1085
Tightness check:	EN 12266 (Leakage rate A)
Temperature range:	-40°F to +392°F (depending on working pressure)
Operating pressure:	max. 145 psi (232 psi special version)
Vacuum:	up to 1 mbar absolute, (with silicon elastomer inserts) from +14°F to +320°F

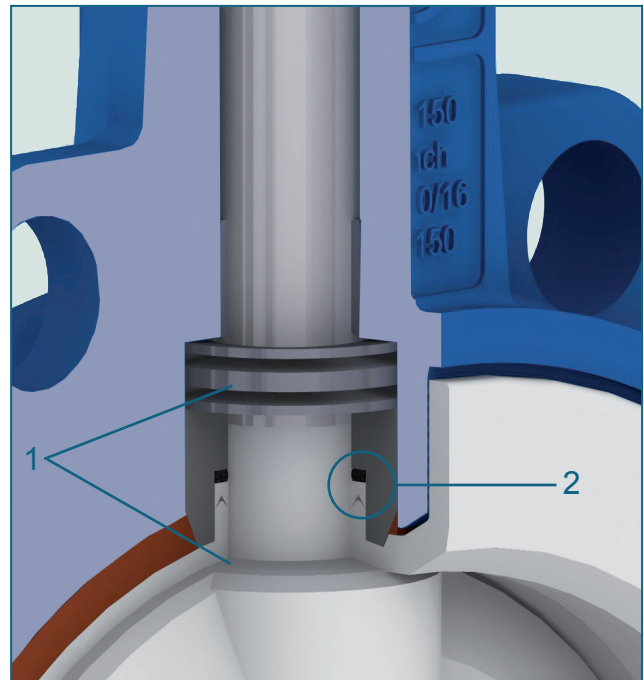
Valve Design
acc. to PAS 1085

FEATURES

- Environmental protection via EBRO-Safety seal
- TA-Luft/ VDI 2440, RWTÜV certified
- Isolation height according to plant prescription
- Maintenance-free
- Can be disassembled, material-specific recycling possible
- Material conform to FDA to EG 1935/2004

DESIGN FEATURES

- Optimized low torques
- FEM dimensioned components
- Double flat shaft acc. to EN standards
- Shaft/ disc: duplex (one-piece lost-wax casting)
- Triple shaft bearing



Safety seal at both shaft ends:

1. Primary sealing by means of a Belleville spring washer, transmitting prestress on the spherical segment area.
2. Secondary sealing of the shaft by means of PTFE-Chevron and o-ring.

