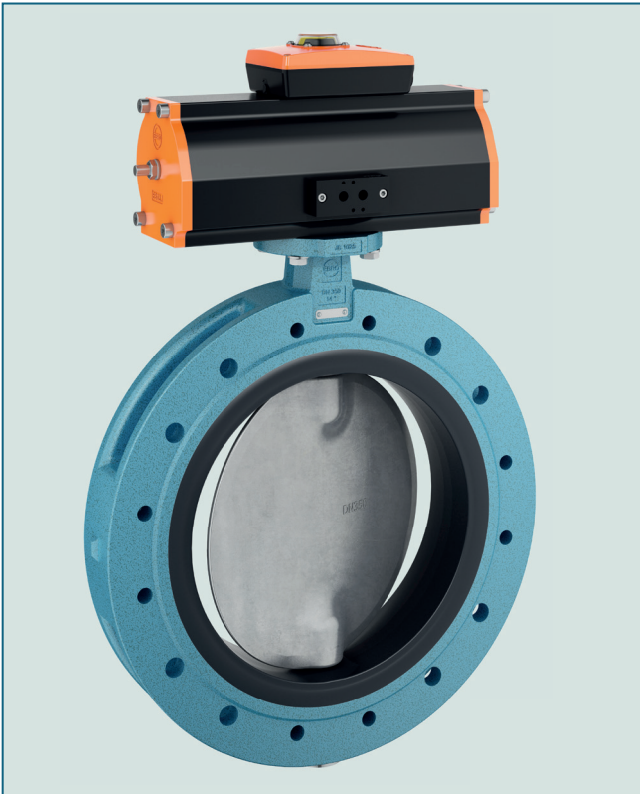


DOUBLE FLANGED BUTTERFLY VALVE Z 612-A



Resilient seated double flanged butterfly valve for semi-corrosive media with split body

TECHNICAL DATA

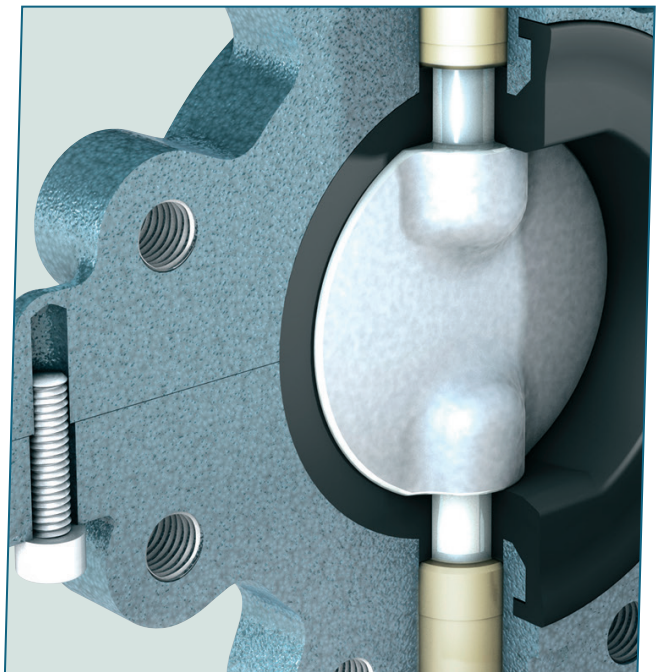
Nominal diameter:	DN 350 - DN 600
Face-to-face:	EN 558 Series 20 ISO 5752 Series 20 API 609 Table 1
Flange connection:	EN 1092 PN 10/16 ASME Class 150
Flange Surface Design:	EN 1092 Form A/B ASME RF, FF
Top flange:	EN ISO 5211
Marking:	EN 19
Tightness check:	EN 12266 (Leakage rate A) ISO 5208, Category 3
Temperature range:	-40°C to +200°C (depending on pressure, medium and material)
Operating pressure:	max. 10 bar

FEATURES

- One piece disc/shaft
- Split body with stainless steel screws
- Insulation height as per plant regulations
- Optional: Special design RWTÜV certified to TA-Air/ VDI 2440
- Disc's sealing surface mirror polished
- Materials complying with FDA standards available
- Can be disassembled, material-specific recycling possible
- For paint and laquers, a silicone-free version is available

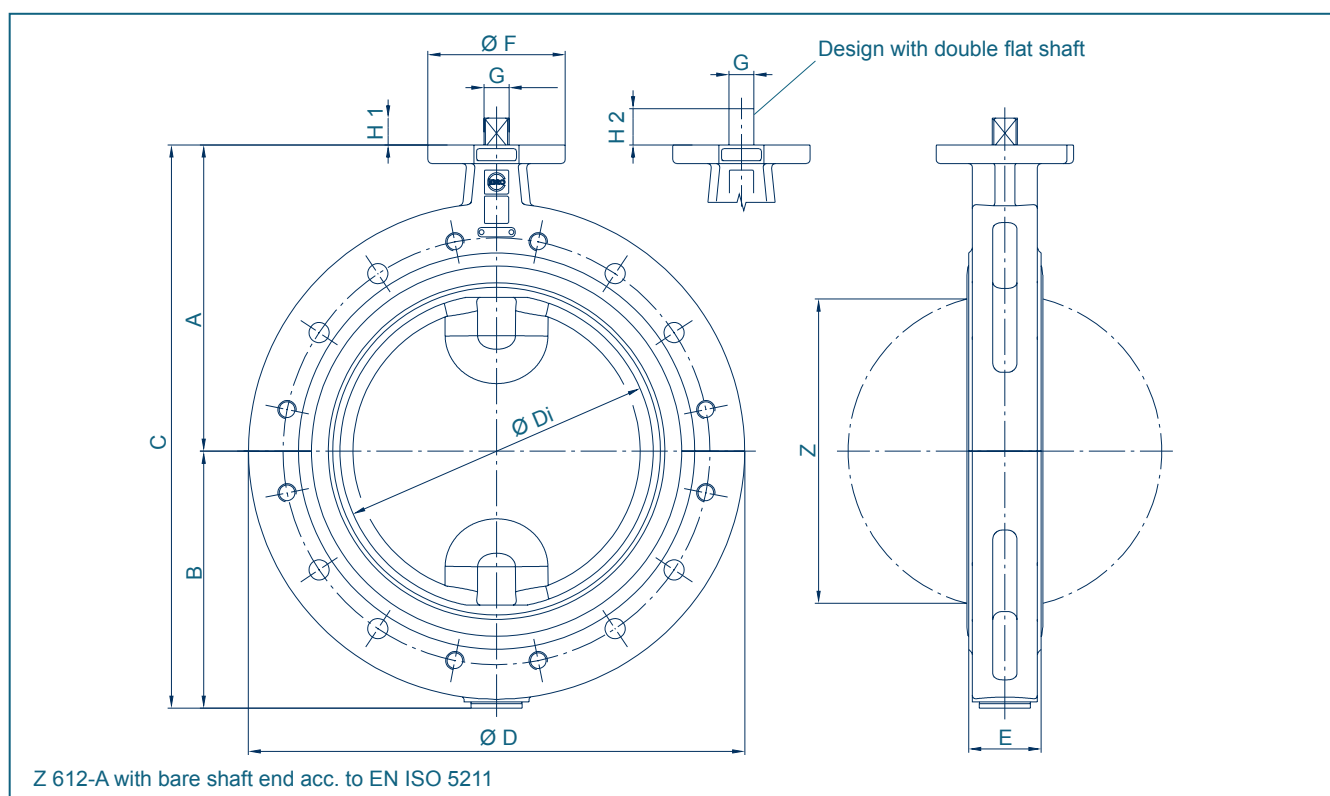
GENERAL APPLICATIONS

- Food and beverage industry
- Purifications plants
- Pharmaceutical industry
- Chemical and petrochemical industry
- Water and waste water industry
- Pneumatic materials handling technology
- Shipbuilding
- Power plants
- Civil engineering



The split body design allows quick and easy maintenance.

DOUBLE FLANGED BUTTERFLY VALVE Z 612-A

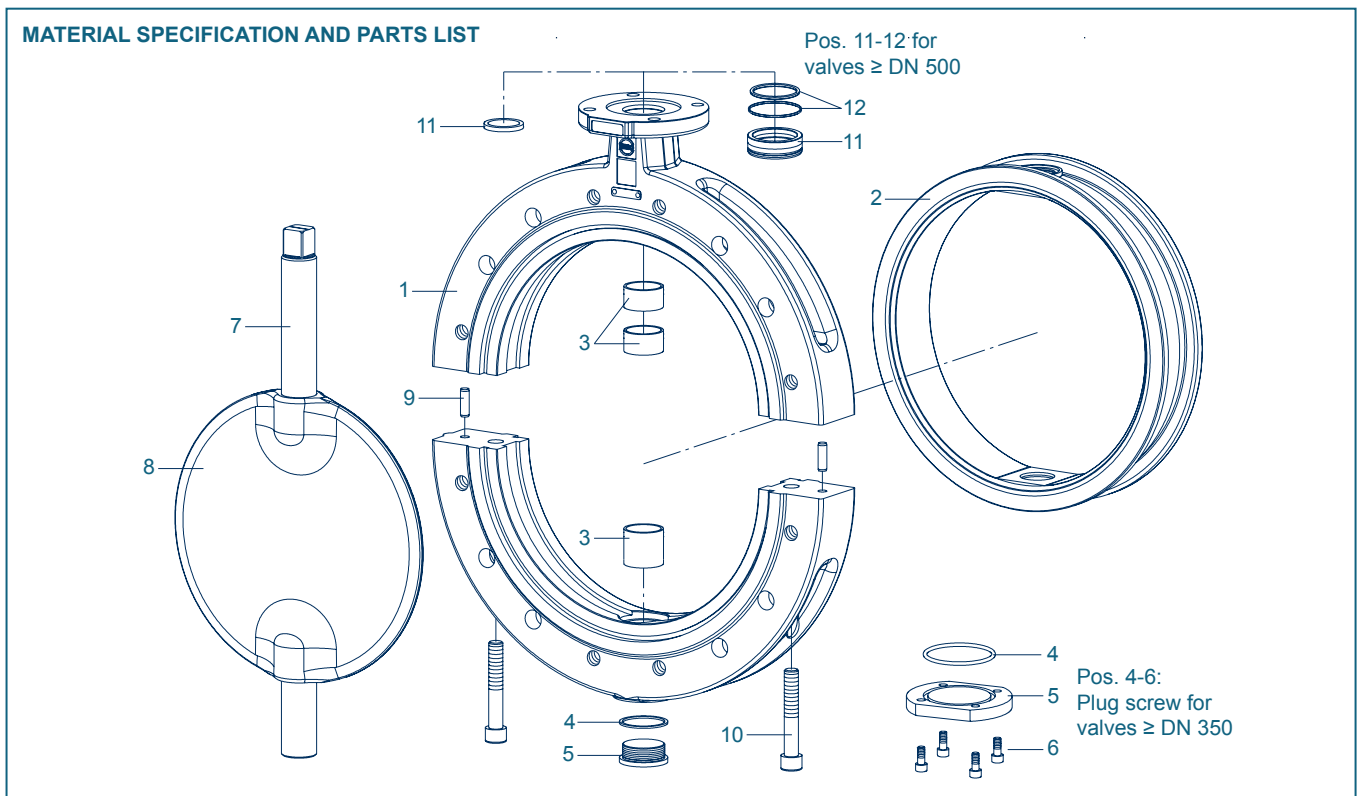


DN [mm]	Size [in]	Dimensions [mm]											Weight [kg]	
		A	B	C	Ø Di	Ø D	E	Ø F	Flange	G	H1	H2		Z
350	14	330	277	607	338	535	78*(92)	148	F12	27	29	48	326*(330)	66*(74)
400	16	360	305	665	391	580	102	148	F12	27	29	48	378	107
450	18	397	347	744	427	639	114	175	F14	36	38	64	412	131
500	20	437	371	808	489	715	127	175	F14	36	38	64	474	158
600	24	498	435	933	582	830	154	210	F16	46	48	82	562	261

* Face to face dim. acc. to EN 558 Series 20, 78mm
Face to face dim. acc. to EN 558 Series 25, 92mm

Subject to change without notice

DOUBLE FLANGED BUTTERFLY VALVE Z 612-A



Pt.	Description	Material	Material No.	ASTM	Pt.	Description	Material	Material No.	ASTM
1	Body				6	Screw			
	Nodular cast iron	EN-GJS-400-18 LT	EN-JS1025			Stainless Steel	A4		
2	Seat				7/8	Shaft/Disc one piece			
	NBR	Nitrile butadiene rubber				Stainless Steel	X2CrNiMoN22-5-3	1.4462	
	EPDM	Ethylene propylene diene monomer rubber			9	Pin			
3	Bearing bush					PTFE	Polytetrafluorethylen	PTFE	PTFE
	Brass	CuZn39Pb3	CW614N		10	Screw			
4	Seal					Stainless Steel	A4		
	Copper	Cu			11	Wiper ring / upper bearing bush			
	NBR	Nitrile butadiene rubber				PTFE	Polyterafluorethylen	PTFE	PTFE
5	Plug screw DIN 908					Brass	CuZn39Pb3	CW614N	
	Stainless steel	G-X5CrNiMo19-11-2	1.4408	CF8M	12	O-Ring			
	Carbon steel	S235JR				NBR	Nitrile butadiene rubber		
	Nodular cast iron	EN-GJS-400-15	EN-JS1030			Above-mentioned materials of the basic version, other materials upon request			

Subject to change without notice

DOUBLE FLANGED BUTTERFLY VALVE Z 612-A

TORQUE

- The torque values specified (Md) are based on dry media and are measured with air at a temperature of 20 °C
- The values specified are based on the initial breakaway torque (disc disengages from seat, torque then drops)
- Dynamic torque specification available upon request

DN (mm)	350	400	450	500	600
Size (in)	14	16	18	20	24
MD (Nm)	610	750	860	2255	3000

All values in Nm

Regarding the dimensioning of actuators, please contact our engineers.

K_v-VALUES

- The K_v-value [m³ per hour] is the flow of water at a temperature of 5°C to 30°C (41°F to 86°F) at Δp of 1 bar
- The K_v-values specified are based on tests carried out by the Delfter Hydraulics Laboratories, the Netherlands

DN [mm]	Size [in]	Opening angle α°							
		20°	30°	40°	50°	60°	70°	80°	90°
350	14	399	488	1070	2110	3590	5480	7760	10400
400	16	557	703	1360	2600	4470	7060	10400	14600
450	18	716	907	1810	3440	5830	8980	13000	17800
500	20	875	1110	2250	4280	7180	10900	15500	20900
600	24	1230	1550	3150	6010	10090	15400	21800	29400

Subject to change without notice

- Permissible velocity of flow
Vmax 4,5 m/s for liquids,
Vmax 70 m/s for gases
- The throttle function is linear at an angle 30° to 70°
- Avoid cavitation

For further values, please contact our engineers.