

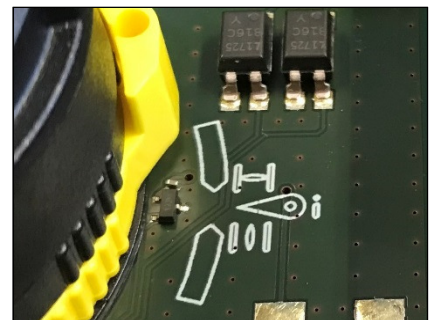
## Ex-Switch Box SBU Advanced

The Switch box type SBU Advanced is designed for direct mounting to pneumatic actuators according to VDI / VDE 3845 (AA2). It is suitable for mounting on EBRO EBX.1 pneumatic actuators.



### General Notes:

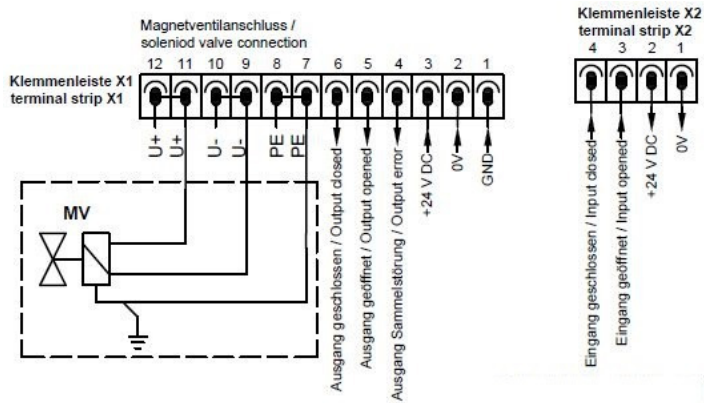
- Direct mounting according to VDI/VDE 3845 AA2, Bracket construction possible
- Microcontroller supported signal processing with fault indication
- Touchless magnetic sensor without wear
- Connection of a solenoid valve with one coil is possible (no Ex i)
- Connection of two external sensors is possible (e. g. for linear actuators)
- Small size due to compact design
- Protection against mechanical damage due to sturdy design
- Cover with captive screws
- Spring-type terminals
- Terminals designation on the circuit board
- Wiring diagram in cover
- 360° remote indicator
- Ambient temperature monitoring
- Bluetooth 4.0 LE interface for monitoring, setting the operating parameters by using the EBRO Connect App



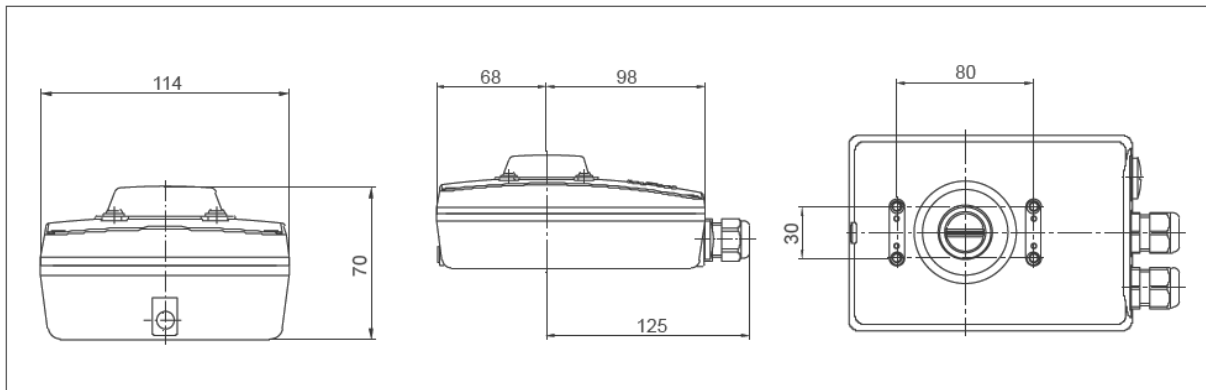
### Technical Data:

Typ	Ex-SBU-I143-XXXX-Advanced
Housing	Aluminium (powder coated)
Sealing	Silicone
Type of connection	Spring-type terminals 2,5mm <sup>2</sup>
Protection class	IP 66
Temperature range	-20°C bis +60°C
Screws	Stainless steel A4
Adjustment range	Up to 240°
Ex-marking	II 2D Ex tb IIIC T85°C Db
Number of solenoid valve connections	1 (only 24V DC max. 5W)
Sensor	Hall-Sensor
Digital outputs	24V DC digital max. 2W
Power supply	24V DC (±10%)
Current consumption	200mA

**Wiring diagram:**



**Dimensions:**



Type cope:

Ex-SBU-	I	1	4	3	-	X	X	X	X	-	Advanced
<b>Number of sensors</b>		1									
<b>Ex-Version</b>											
II 2D Ex tb			4								
<b>Terminals for connecting solenoid valves</b>											
3 terminals (one coil)				3							
<b>Type of screw connections</b>											
Plastic Ex						X					
Metal Ex						Y					
<b>Cable gland / electrical connections</b>											
Blind cap							1	1	1		
M20x1.5 cable diameter 6-12mm							2	2	2		
M20x1.5 cable diameter 5-9mm							3	3	3		
Other types available on request											