

## Type EP 501 B Positioner

Electropneumatic positioner

Elektropneumatischer Positioner

Régulateur de position électropneumatique



## Quickstart

English

Deutsch

Français

We reserve the right to make technical changes without notice.  
Technische Änderungen vorbehalten.  
Sous réserve de modification techniques.

Operating Instructions 1403/00\_EU-ML\_00809729 / Original DE

## Positioner Type EP 501 B

<b>1 QUICKSTART GUIDE</b> .....	<b>4</b>	<b>7 OPERATION</b> .....	<b>12</b>
1.1 Definition of the term "Device" .....	4	7.1 Operating state.....	12
1.2 Symbols.....	4	7.2 Operating and display elements of the positioner.....	12
<b>2 AUTHORIZED USE</b> .....	<b>5</b>	7.3 Error messages.....	15
2.1 Restrictions.....	5	<b>8 ATTACHMENT AND INSTALLATION</b> .....	<b>16</b>
<b>3 BASIC SAFETY INSTRUCTIONS</b> .....	<b>5</b>	8.1 Installation of devices for the explosion-risk area .....	16
<b>4 GENERAL INFORMATION</b> .....	<b>6</b>	8.2 Attachment to a control valve with swivel actuator .....	16
4.1 Contact addresses .....	6	<b>9 PNEUMATIC CONNECTION</b> .....	<b>19</b>
<b>5 SYSTEM DESCRIPTION</b> .....	<b>7</b>	9.1 Connection of devices for the explosion-risk area .....	19
5.1 Structure .....	7	9.2 Safety instructions .....	19
5.2 General description .....	7	9.3 Safety positions .....	20
5.3 AS interface.....	8	<b>10 ELECTRICAL CONNECTION</b> .....	<b>22</b>
<b>6 TECHNICAL DATA</b> .....	<b>10</b>	10.1 Connection of devices for the explosion-risk area.....	22
6.1 Conformity .....	10	10.2 Safety instructions .....	22
6.2 Standards.....	10	10.3 Electrical installation with cable gland .....	22
6.3 Operating conditions.....	10	10.4 Electrical installation AS interface.....	24
6.4 Mechanical data .....	10	10.5 LED status display for AS interface.....	25
6.5 Electrical data.....	10	<b>11 STARTING UP</b> .....	<b>25</b>
6.6 Electrical data with AS interface bus control (optional).....	11	11.1 Safety instructions .....	25
6.7 Pneumatic data.....	11	11.2 Specifying the basic settings.....	26
		<b>12 TRANSPORT, STORAGE, PACKAGING</b> .....	<b>27</b>

## 1 QUICKSTART GUIDE

The quickstart guide contains the most important information and notes regarding the use of the device. A detailed description can be found in the operating instructions for Type EP 501.

Keep these instructions in a location which is easily accessible to every user and make these instructions available to every new owner of the device.

### Important safety information!

Read Quickstart carefully and thoroughly. Study in particular the chapters entitled "[Basic safety instructions](#)" and "[Authorized use](#)".

- ▶ Quickstart must be read and understood.

### 1.1 Definition of the term "Device"

In these instructions, the term "device" always refers to the positioner Type EP 501 B.

### 1.2 Symbols

The following symbols are used in these instructions.



#### Warns of an immediate danger!

- ▶ Failure to observe the warning will result in a fatal or serious injury.



#### Warns of a potentially dangerous situation!

- ▶ Failure to observe the warning may result in a serious or fatal injury.



#### Warns of a possible danger!

- ▶ Failure to observe this warning may result in a moderate or minor injury.

### NOTE!

#### Warns of damage to property!



Important tips and recommendations.



Refers to information in these instructions or in other documentation.

- ▶ Designates an instruction to prevent risks.
- Designates a procedure which you must carry out.

## 2 AUTHORIZED USE

**Non-authorized use of the positioner Type EP 501 B may be a hazard to people, nearby equipment and the environment.**

The device is designed for the open-loop control and closed-loop control of media.

- ▶ Do not expose the device to direct sunlight.
- ▶ A pulsating direct voltage (rectified alternating current without smoothing) must not be used as supply voltage.
- ▶ During use observe the permitted data, the operating conditions and conditions of use specified in the contract documents and operating instructions, as described in chapter “6 Technical data” in this manual and in the valve manual for the respective pneumatically actuated valve.
- ▶ In view of the wide range of possible application cases, check whether the positioner is suitable for the specific application case.
- ▶ Correct transportation, storage and installation, as well as careful use and maintenance are essential for reliable and faultless operation.
- ▶ The positioner Type EP 501 B must be used only for its intended purpose.

### 2.1 Restrictions

If exporting the system/device, observe any existing restrictions.

## 3 BASIC SAFETY INSTRUCTIONS

These safety instructions do not make allowance for any

- contingencies and events which may arise during the assembly, operation, and maintenance of the devices.
- local safety regulations – the operator is responsible for observing these regulations, also in relation to the installation personnel.



### **Danger – high pressure!**

- ▶ Before loosening lines and valves, turn off the pressure and vent the lines.

### **Risk of electric shock!**

- ▶ Before reaching into the device or the equipment, switch off the power supply and secure to prevent reactivation!
- ▶ Observe applicable accident prevention and safety regulations for electrical equipment!

### **General hazardous situations**

To prevent injuries:

- In a potentially explosive area, the positioner Type EP 501 B may be used only in accordance with the specification on the separate Ex rating plate. For the use, observe the additional information enclosed with the device with safety instructions for the EX area.
- Devices without a separate Ex rating plate may not be used in a potentially explosive area.

- ▶ Ensure that the system cannot be activated unintentionally.
- ▶ Installation and maintenance work may be carried out only by authorized technicians with the appropriate tools.
- ▶ After an interruption in the electrical or pneumatic supply, ensure that the process is restarted in a defined or controlled manner.
- ▶ The device must only be operated when in a perfect condition and in consideration of the operating instructions.
- ▶ The general rules of technology must be observed for application planning and operation of the device.

To prevent damage to the device:

- Do not supply the pressure supply connection of the system with aggressive or flammable media.
- Do not supply the pressure supply connection with liquids.
- Do not physically stress the housing (e.g. by placing objects on it or standing on it).
- Do not make any external alterations to the housing of the device. Do not paint housing parts or screws.

#### **NOTE!**

##### **Electrostatic sensitive components/modules!**

The device contains electronic components which react sensitively to electrostatic discharge (ESD). Contact with electrostatically charged persons or objects are hazardous to these components. In the worst case scenario, they will be destroyed immediately or will fail after start-up.

- Observe the requirements in accordance with EN 61340-5-1 and 5-2 to minimize/avoid the possibility of damage caused by a sudden electrostatic discharge!
- Also, ensure that you do not touch electronic components when the supply voltage is present!



The positioner Type EP 501 B was developed with due consideration given to the accepted safety rules and is state-of-the-art. Nevertheless, dangerous situations may occur.

Failure to observe these operating instructions and the information contained therein as well as unauthorized tampering with the device release us from any liability and also invalidate the warranty covering the devices and accessories!

## **4 GENERAL INFORMATION**

### **4.1 Contact addresses**

#### **Germany**

Automation technology

**EBRO ARMATUREN Gebr. Bröer GmbH**

Karlstraße 8

D-58135 Hagen

Tel. + 49 (0) 2331 - 904 0

Fax + 49 (0) 2331 - 904 111

E-mail: [post@ebro-armaturen.com](mailto:post@ebro-armaturen.com)

## 5 SYSTEM DESCRIPTION

### 5.1 Structure

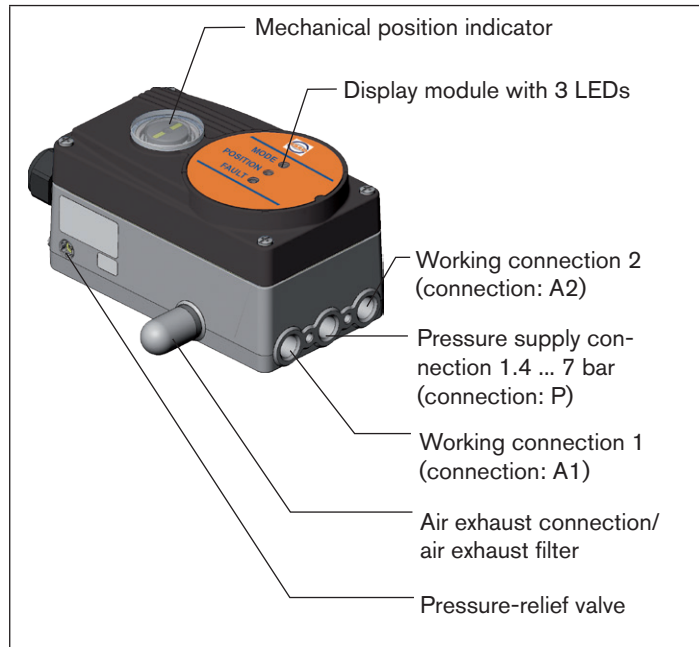


Fig. 1: Structure, positioner Type EP 501 B

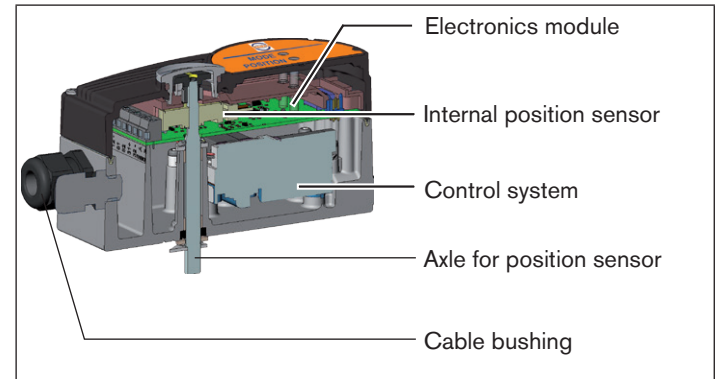


Fig. 2: Structure, positioner Type EP 501 B

### 5.2 General description

The positioner Type EP 501 B is a digital, electro-pneumatic position controller for pneumatically actuated control valves. The device incorporates the main function groups

- Position sensor
- Electro-pneumatic control system
- Microprocessor electronics

The position sensor measures the current positions of the control valve. The microprocessor electronics continuously compare the current position (actual value) with a position set-point value specified via the standard signal input and supplies the result to the position controller. If there is a control difference, the electro-pneumatic control system corrects the actual position accordingly.

## 5.3 AS interface

### 5.3.1 AS interface connection

AS interface (Actuator Sensor Interface) is a field bus system which is used primarily for networking binary sensors and actuators (slaves) with a higher-level control (master).

#### Bus line

Unshielded two-wire line (AS interface line as AS interface cable harness) along which both information (data) and energy (power supply for the actuators and sensors) are transmitted.

#### Network topology

Freely selectable within wide limits, i.e. star, tree and line networks are possible. Further details are described in the AS interface specification (A/B slave model conforms to the version 3.0 specification).

### 5.3.2 Technical data for AS interface PCBs

	Profile version S-7.3.4	Profile version S-7.A.5
Supply	via AS interface	via AS interface
Outputs	16 bit set-point value	16 bit set-point value
Inputs	-	16 bit status feedback
Certification	Certificate no. 87301 after version 3.0	Certificate no. 95401 after version 3.0

Tab. 1: Technical data

### 5.3.3 Programming data for AS Interface PCBs

	Profile version S-7.3.4	Profile version S-7.A.5
I/O configuration	7 hex	7 hex
ID code	3 hex (analog profile)	A hex
Extended ID code 1	F hex (default value, can be changed by the user)	7 hex
Extended ID code 2	4 hex	5 hex
Profile	S-7.3.4	S-7.A.5

Tab. 2: Programming data

#### Bit configuration

- Output set-point value  
(value range 0 ... 10,000 corresponds to 0 ... 100 %)
- Input status feedback<sup>14)</sup>  
(value range 0 ... 10,000 corresponds to 0 ... 100 %)

Byte 2							
0	0	D13	D12	D11	D10	D9	D8
Byte 1							
D7	D6	D5	D4	D3	D2	D1	D0
Parameter bit	P3	P2	P1	P0			
Output	Not used	Not used	Not used	Not used			

Tab. 3: Bit configuration



### 5.3.4 Sequence of communication for the profile version S-7.A.5

1. After the start-up, the AS interface master (from master class 4) automatically replaces the ID object with the S-7.A.5 slave.

Master sends 3 bytes:		
1. Byte	2. Byte	3. Byte
Code = 16 dez	Index = 0 dez	Length = 5 dez



S-7.A.5 slave answers with 6 bytes					
1. Byte	2. Byte	3. Byte	4. Byte	5. Byte	6. Byte
Code	Vendor ID (high)	Vendor ID (low)	Device ID (high)	Device ID (low)	1 word output + 1 word input
= 80 dez	= 120 dez		= 1 dez		= 34 dez

or with 2 bytes (Read Response not OK)

1. Byte	2. Byte				
Code	Error code				
= 144 dez	= 0 dez (no error)	1 dez (illegal index)	2 dez (illegal length)	3 dez (request not implemented)	4 dez (busy)

2. After that, the following cyclical commands can be used:

- Code = 0 (get cyclic data from slave)  
→ for status feedback 0 ... 100 %
- Code = 1 (put cyclic data to slave)  
→ for set-point value 0 ... 100 %

## 6 TECHNICAL DATA

### 6.1 Conformity

The positioner Type EP 501 B conforms to the EC directives according to the EC Declaration of Conformity.

### 6.2 Standards

The applied standards which are used to demonstrate compliance with the EC Directives are listed in the EC-Type Examination Certificate and/or the EC Declaration of Conformity.

### 6.3 Operating conditions

#### NOTE!

**If used outside, the device may be exposed to direct sunlight and temperature fluctuations which may cause malfunctions or leaks!**

- If the device is used outdoors, do not expose it unprotected to the weather conditions.
- Ensure that the permitted ambient temperature does not exceed the maximum value or drop below the minimum value.

Ambient temperature 0 ... +60 °C

Degree of protection IP65 / IP67<sup>1)</sup> according to EN 60529 (only if cables, plugs and sockets have been connected correctly)

<sup>1)</sup> When using the positioner under IP67 conditions, the air exhaust filter (see "Fig. 1") must be removed and the exhaust air conveyed to the dry area.

### 6.4 Mechanical data

Dimension see data sheet

#### Material

Housing material plastic-coated aluminum  
Other external parts stainless steel (V4A), PC, PE, POM, PTFE

Sealing material EPDM, NBR, FKM

Weight approx. 1.0 kg

### 6.5 Electrical data

Connections 2 cable glands (M20 x 1.5) with screw terminals 0.14 ... 1.5 mm<sup>2</sup> or circular plug-in connector (M12, 8-pole)

Interfaces communication interface USB:  
Direct connection to PC via USB adapter.  
Communication with communications software based on FTD/DTM technology.  
An external adapter with integrated interface driver is required.

Supply voltage 24 V DC ± 10 %  
max. residual ripple 10 %

Power consumption < 3.5 W

Input resistance for set-point value signal 180 Ω at 0/4 - 20 mA / 12 bit resolution

Protection class	3 in accordance with VDE 0580
Analog position feedback max. load. Load for current output 0/4 ... 20 mA	560 Ω
Inductive proximity switches	100 mA current limitation
Binary input	not galvanically isolated 0 ... 5 V = log "0", 10 ... 30 V = log "1" inverted input in reverse order (input current < 6 mA)

### 6.6 Electrical data with AS interface bus control (optional)

Connections	circular plug-in connectors (M12, 4-pole)
Supply voltage	29.5 V ... 31.6 V DC (according to specification)

Devices without external supply voltage:

Max. power consumption 150 mA

Devices with external supply voltage:

External supply-voltage 24 V ± 10 %, the power supply unit must include a secure disconnection in accordance with IEC 364-4-41 (PELV or SELV)

Max. power consumption	100 mA
Max. power consumption from AS interface	50 mA

### 6.7 Pneumatic data

Control medium	quality classes in accordance with DIN ISO 8573-1
Dust content	class 5, max. particle size 40 µm, max. particle density 10 mg/m <sup>3</sup>
Water content	class 3, max. pressure dew point - 20 °C or min. 10 °C below the lowest operating temperature
Oil content	class 5, max. 25 mg/m <sup>3</sup>
Temperature range of compressed air	0 ... +60 °C
Pressure range	1.4 ... 7 bar
Air capacity	95 I <sub>N</sub> / min (at 1.4 bar <sup>2)</sup> for aeration and deaeration 150 I <sub>N</sub> / min (at 6 bar <sup>2)</sup> for aeration and deaeration (Q <sub>Nn</sub> = 100 I <sub>N</sub> / min (according to definition for pressure drop from 7 to 6 bar absolute))
Connections	internal threads G1/4"

*2) Pressure specifications: Overpressure with respect to atmospheric pressure*

## 7 OPERATION

### 7.1 Operating state

#### AUTOMATIC (AUTO)

Normal controller mode is implemented and monitored in AUTOMATIC operating state.

→ LED 1 (*MODE*) flashes green.

#### MANUAL

In MANUAL operating state the valve can be opened and closed manually via the buttons.

→ LED 1 (*MODE*) flashes green.

→ LED 3 (*FAULT*) flashes red.

The DIP switch 4 can be used to switch between the two operating statuses AUTOMATIC and MANUAL. (see chapter "[7.2.2 Function of the DIP switches](#)").

### 7.2 Operating and display elements of the positioner

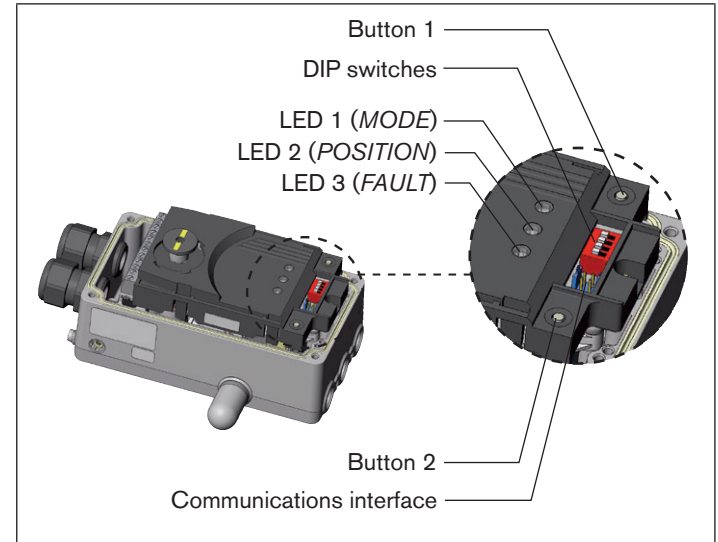


Fig. 3: Description of operating elements

The positioner features 2 buttons, 4 DIP switches and 3 LEDs as a display element.

### 7.2.1 Configuration of the buttons

The configuration of the 2 buttons inside the housing varies depending on the operating state (AUTOMATIC / MANUAL).

The description of the operating statuses (AUTOMATIC / MANUAL) can be found in the chapter entitled “7.1 Operating state”.

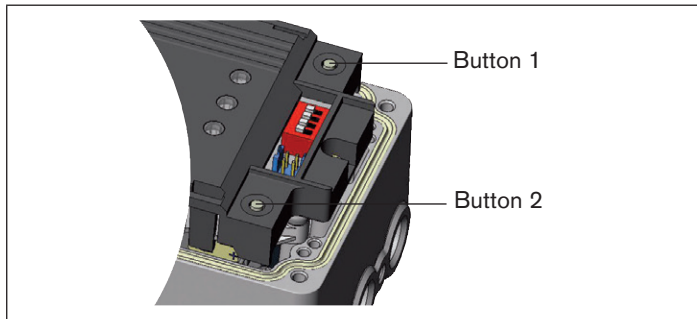


Fig. 4: Description of the buttons

MANUAL operating state (DIP switch 4 set to ON):

Button	Function
1	Aerate <sup>3)</sup> (manually open / close the actuator) <sup>4)</sup>
2	Deaerate <sup>3)</sup> (manually open / close the actuator) <sup>4)</sup>

<sup>3)</sup> No function if the binary input was activated with the “H/A change-over” via the communications software.  
<sup>4)</sup> Depending on the control function of the actuator.

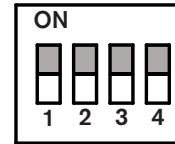
Tab. 4: Configuration of the buttons for MANUAL operating state

AUTOMATIC operating state (DIP switch 4 set to OFF):

Button	Function
1	Press for 5 seconds to start the X.TUNE function
2	-

Tab. 5: Configuration of the buttons for AUTOMATIC operating state

### 7.2.2 Function of the DIP switches



DIP switches	Position	Function
1	ON	Reversal of the effective direction of the set-point value (DIR.CMD) (set-point value 20 ... 4 mA = position 0 ... 100 %)
	OFF	Normal effective direction of the set-point value (set-point value 4 ... 20 mA = position 0 ... 100 %)
2	ON	Sealing function active. The valve completely closes below 2 % <sup>5)</sup> and opens above 98 % of the set-point value (CUTOFF)
	OFF	No sealing function

DIP switches	Position	Function
3	ON	Correction characteristic for adjustment of the operating characteristic (linearization of the process characteristic <i>CHARACT</i> ) <sup>6)</sup>
	OFF	Linear characteristic
4	ON	MANUAL operating state manual
	OFF	AUTO AUTOMATIC operating state

<sup>5)</sup> Factory setting can be changed via communications software.  
<sup>6)</sup> The characteristic type can be changed via communications software

Tab. 6: Function of the DIP switches

**Information about the communications software:**

The switching position of the DIP switch has priority over the communications software!

If the values of the sealing function (*CUTOFF*) or the correction characteristic (*CHARACT*) are changed via the software tool, the corresponding function must be active (DIP switch set to ON).

The effective direction of the set-point value (*DIR.CMD*) can be changed via the Dip switches only.

### 7.2.3 Display of the LEDs

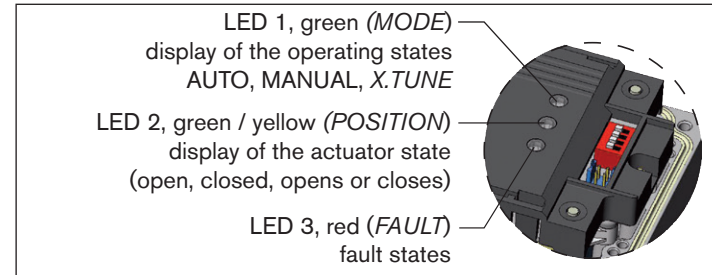


Fig. 5: LED display

#### LED 1 (green, *MODE*) and LED 3 (red, *FAULT*)

LED states		Display
green	red	
on	off	Acceleration phase when Power ON
flashes slowly	off	AUTO operating state
flashing alternating	flashing	MANUAL operating state
flashes quickly	off	<i>X.TUNE</i> function
off	on	ERROR (see chapter entitled "7.3 Error messages")
flashing slow	flashing	AUTO operating state for sensor break detection

Tab. 7: LED states, LED 1 and LED 3

**LED 2 (green / yellow, POSITION)**

LED states		Display
green	yellow	
on	off	Actuator closed
off	on	Actuator open
flashes slowly	off	Constant control deviation (actual value > nominal value)
off	flashes slowly	Constant control deviation (actual value < nominal value)
flashes quickly	off	Closing in MANUAL operating state
off	flashes quickly	Opening in MANUAL operating state

Tab. 8: LED states, LED 2

**7.3 Error messages****7.3.1 Error messages in MANUAL and AUTOMATIC operating states**

Display	Cause of fault	Remedial action
LED 3 <i>FAULT</i> (red) on	Checksum error in data memory → Data memory defective → The device automatically switches to an older (possibly not current) data record.	No remedy possible. Device defective. Contact your EBRO sales office.

Tab. 9: Error messages in MANUAL and AUTOMATIC operating states

### 7.3.2 Error messages while the X.TUNE function is running

Display	Cause of fault	Remedial action
LED 3 FAULT (red) on	No compressed air connected	Connect compressed air
	Compressed air failure while the X.TUNE function was running	Check compressed air supply
	Actuator or control system deaeration side leaking	No remedy possible. Device defective
	Control system aeration side leaking	No remedy possible. Device defective
	The rotation range of the position sensor has exceeded 180°	Correct the attachment of the shaft for the position sensor on the actuator

Tab. 10: Error messages while the X.TUNE function is running

## 8 ATTACHMENT AND INSTALLATION

### 8.1 Installation of devices for the explosion-risk area

When installing devices in the explosion-protected area, observe the “Additional information for use in the explosion-risk area” enclosed with the Ex-devices.

### 8.2 Attachment to a control valve with swivel actuator

The axle of the position sensor integrated in the positioner is connected directly to the axle of the swivel actuator.



The attachment kit for swivel actuators can be ordered from EBRO as an accessory. The associated parts are listed in the “Tab. 11: Attachment kit for swivel actuators”.

No.	Quantity	Designation
1	1	Adapter
2	2	Setscrew DIN 913 M4 x 10
3	4	Cylinder head screw DIN 933 M6 x 12
4	4	Circlip B6
5	2	Hexagon nut DIN 985, M4

Tab. 11: Attachment kit for swivel actuators



### 8.2.1 Installation



#### WARNING!

##### Risk of injury from improper assembly!

- ▶ Assembly may be carried out by authorized technicians only and with the appropriate tools!

##### Risk of injury from unintentional activation of the system and uncontrolled restart!

- ▶ Secure system against unintentional activation.
- ▶ Following assembly, ensure a controlled restart.

#### Procedure:

- Determine the attachment position of the positioner:
  - parallel to the actuator or
  - rotated by 90° to the actuator.
- Determine the basic settings and the direction of rotation of the actuator.



#### Anti-twist safeguard:

##### Note the flat side of the axle!

One of the setscrews must be situated on the flat side of the axle as an anti-twist safeguard (see "Fig. 6").

- Connect the adapter ① to the axle of the positioner and secure with 2 setscrews.
- Secure setscrews with self-locking nuts.



#### Rotation range of the position sensor:

The maximum rotation range of the position sensor is 180°. The axle of the positioner may be moved within this range only.

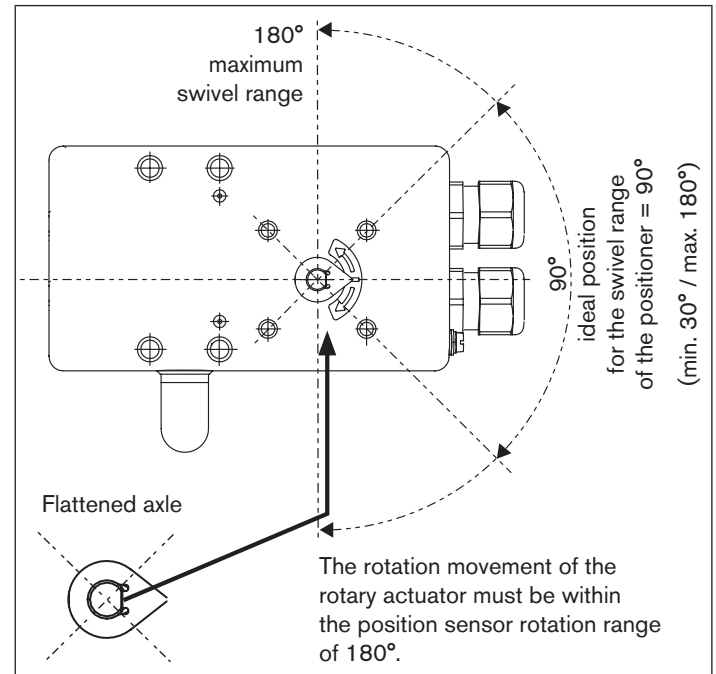


Fig. 6: Rotation range / anti-twist safeguard

- Set up the multi-part assembly bridge\* to suit the actuator.
- Attach the assembly bridge with 4 cylinder head screws ③ and circlips ④ to the positioner (see "Fig. 7").

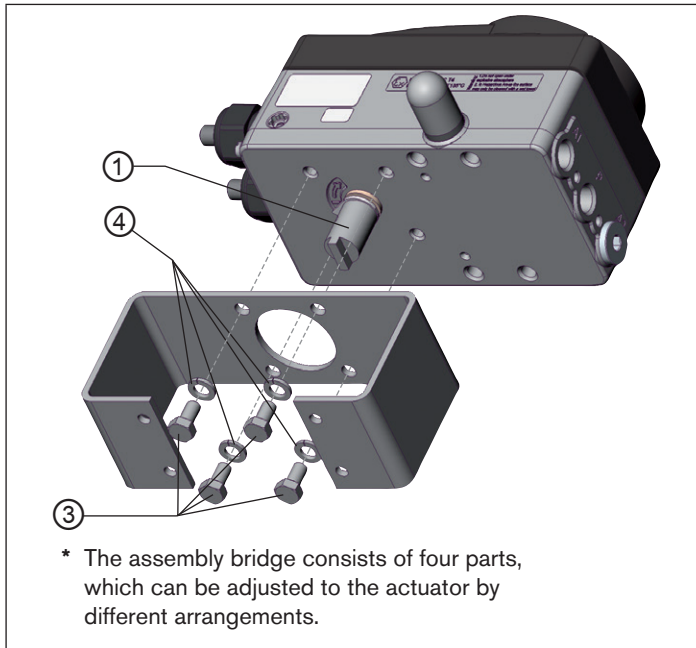


Fig. 7: Attaching the assembly bridge (schematic representation)

- Place positioner with assembly bridge on the swivel actuator and attach (see "Fig. 8")

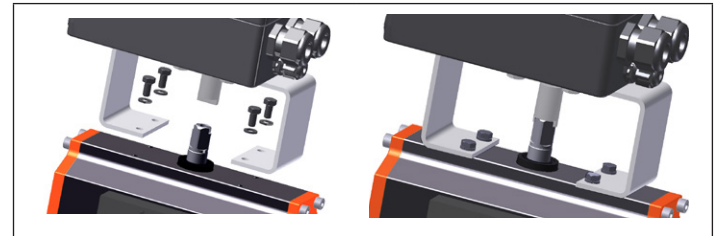


Fig. 8: Swivel actuator attachment

## 9 PNEUMATIC CONNECTION

### 9.1 Connection of devices for the explosion-risk area

When connecting devices in the explosion-protected area, observe the “Additional information for use in the explosion-risk area” enclosed with the Ex-devices.

### 9.2 Safety instructions



#### **DANGER!**

##### **Risk of injury from high pressure in the system!**

- ▶ Before loosening lines and valves, turn off the pressure and vent the lines.



#### **WARNING!**

##### **Risk of injury from improper installation!**

- ▶ Installation may be carried out by authorized technicians only and with the appropriate tools!

##### **Risk of injury from unintentional activation of the system and uncontrolled restart!**

- ▶ Secure system against unintentional activation.
- ▶ Following installation, ensure a controlled restart.

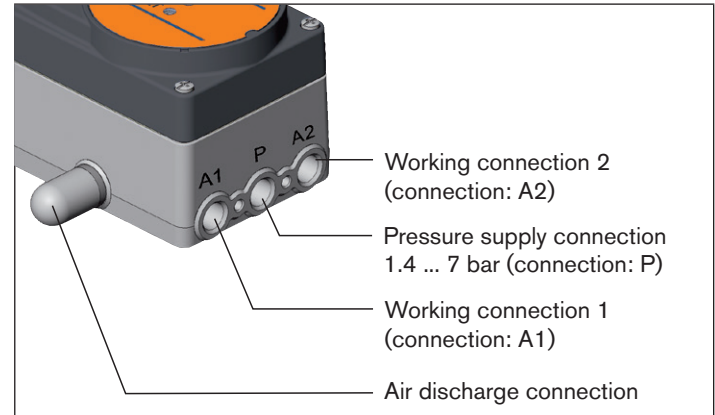


Fig. 9: Pneumatic installation / location of the connections

#### **Procedure:**

- Apply supply pressure ( 1.4 ... 7 bar) to the pressure supply connection P.

#### **For single-acting actuators (control function A and B):**

- Connect one working connection (A1 or A2, depending on required safety position) to the chamber of the single-acting actuator.  
Safety positions see chapter “9.3 Safety positions”.
- Seal a working connection which is not required with a plug.

**For double-acting actuators (control function I):**

- Connect working connections A1 and A2 to the respective chambers of the double-acting actuator.  
Safety positions see chapter [“9.3 Safety positions”](#).



**Important information for perfect control behavior!**

In order to ensure that the control behavior is not extremely negatively affected in the upper stroke range on account of too little pressure difference,

- keep the applied supply pressure at least 0.5 ... 1 bar above the pressure which is required to move the pneumatic actuator to its end position.

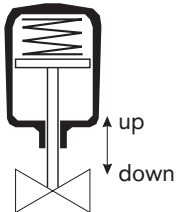
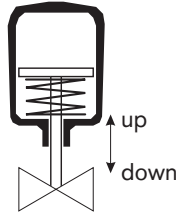
If fluctuations are greater, the control parameters measured with the *X.TUNE* function are not optimal.

- During operation keep the fluctuations of the supply pressure as low as possible (max.  $\pm 10\%$ ).

**9.3 Safety positions**

The safety position following failure of the auxiliary electrical power depends on the pneumatic connection of the actuator to the working connections A1 or A2.

**9.3.1 Single-acting actuators**

Actuator system	Safety positions after failure of the auxiliary power	
	auxiliary power	pneumatic auxiliary power
 Control function A	down → Connection to <a href="#">“Fig. 10”</a>	down
	up → Connection to <a href="#">“Fig. 11”</a>	
 Control function B	up → Connection to <a href="#">“Fig. 10”</a>	up
	down → Connection to <a href="#">“Fig. 11”</a>	

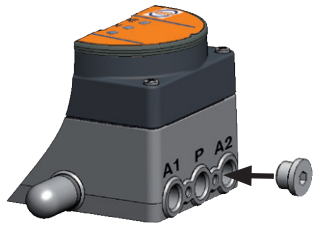
Tab. 12: Safety positions - single-acting actuators

## Type EP 501 B

Pneumatic connection

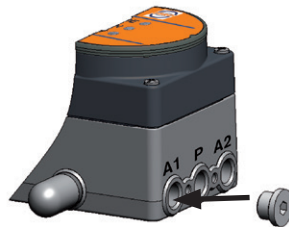


### Single-acting actuators - control function A or B



Connect working connection A1 to actuator  
Close A2

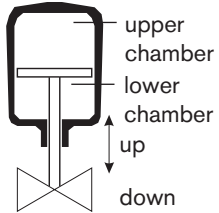
Fig. 10: Connection A1



Connect working connection A2 to actuator  
Close A1

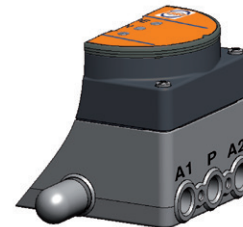
Fig. 11: Connection A2

### 9.3.2 Double-acting actuators

Actuator system	Safety positions after failure of the auxiliary power		
	auxiliary power	pneumatic auxiliary power	
 <p>Control function I</p>	→ Connection see "Fig. 12"	not defined	
	up = lower chamber of the actuator to A2		
	down = upper chamber of the actuator to A2		

Tab. 13: Safety positions - double-acting actuators

### double-acting actuators - control function I



Connect working connection A1 and A2 to actuator  
Safety position:  
up = lower chamber to A2  
down = upper chamber to A2

Fig. 12: Connection for SFI

## 10 ELECTRICAL CONNECTION

### 10.1 Connection of devices for the explosion-risk area

When connecting devices in the explosion-protected area, observe the “Additional information for use in the explosion-risk area” enclosed with the Ex-devices.

### 10.2 Safety instructions



#### **DANGER!**

##### **Risk of injury due to electrical shock!**

- ▶ Before reaching into the device or the equipment, switch off the power supply and secure to prevent reactivation!
- ▶ Observe applicable accident prevention and safety regulations for electrical equipment!



#### **WARNING!**

##### **Risk of injury from improper installation!**

- ▶ Installation may be carried out by authorized technicians only and with the appropriate tools!

##### **Risk of injury from unintentional activation of the system and uncontrolled restart!**

- ▶ Secure system against unintentional activation.
- ▶ Following installation, ensure a controlled restart.

### 10.3 Electrical installation with cable gland

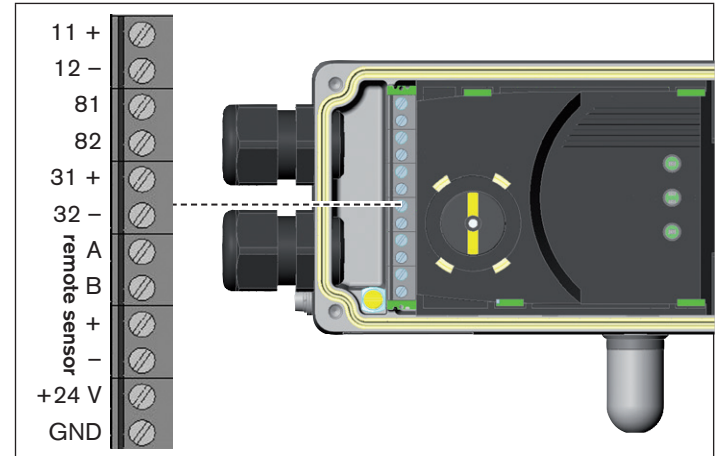


Fig. 13: Designation of the screw terminals

### 10.3.1 Connection of the terminals

- Unscrew the 4 screws of the housing cover and remove the cover.  
The screw terminals are now accessible.
- Connect terminals according to the configuration.

### 10.3.2 Terminal assignment for input signals from the control center (e.g. PLC)

Terminal	Configuration	On the device side	External circuit / signal level
11 +	Set-point value +	11 +	+ (0/4 ... 20 mA) not galvanically isolated
12 -	Set-point value GND	12 -	GND set-point value
81 +	Binary input +	81 +	+ $\begin{cases} 0 \dots 5 \text{ V (log. 0)} \\ 10 \dots 30 \text{ V (log. 1)} \end{cases}$
82 -	Binary input -	82 -	GND (identical to GND supply voltage)

Tab. 14: Terminal assignment; input signals of the control center

### 10.3.3 Terminal assignment for output signals to the control center (e.g. PLC) - (only required for analog output option)

Terminal	Configuration	On the device side	External circuit / signal level
31 +	Analog feedback +	31 +	+ (0/4 ... 20 mA) not galvanically isolated
32 -	Analog feedback GND	32 -	GND (identical to GND supply voltage)

Tab. 15: Terminal assignment; output signals to the control center

### 10.3.4 Terminal assignment for supply voltage

Terminal	Configuration	External circuit / signal level
+24 V	Supply voltage +	+24 V
GND	Supply voltage GND	GND

24 V DC ± 10 %  
max. residual ripple 10 %

Tab. 16: Terminal assignment supply voltage

## 10.4 Electrical installation AS interface

### 10.4.1 Electrical connection with circular plug-in connector M12 x 1, 4-pole

#### Views of plugs

The views show the image from the front looking at the pins. the solder connections are behind them.

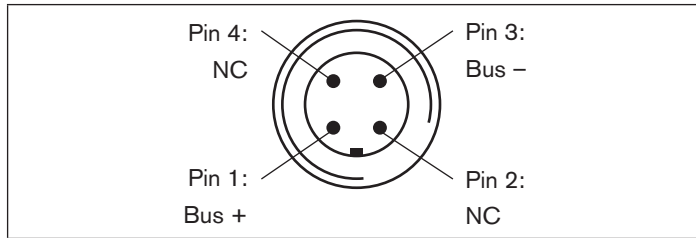


Fig. 14: Bus connection without external supply voltage

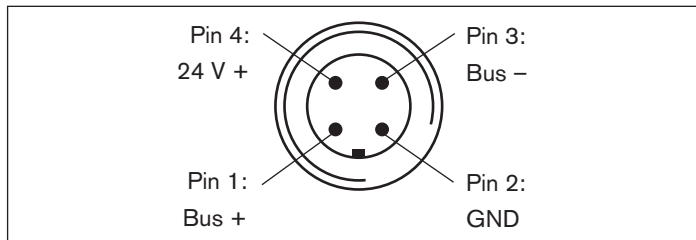


Fig. 15: Bus connection with external supply voltage (optional)

Bus connection without external / with external supply voltage

Pin	Designation	Configuration
1	Bus +	AS Interface bus line +
2	NC or GND (optional)	not used or external supply voltage – (optional)
3	Bus –	AS Interface bus line –
4	NC or 24 V + (optional)	not used or external supply voltage + (optional)

Tab. 17: Pin assignment of circular plug-in connector for AS-Interface

When the operating voltage is applied, the positioner is operating.  
 → Actuate the automatic adjustment of the positioner, as described in the chapter entitled [“11.2 Specifying the basic settings”](#).

#### 10.4.2 Programming data

	Profile version S-7.3.4	Profile version S-7.A.5
I/O configuration	7 hex	7 hex
ID code	3 hex (analog profile)	A hex
Extended ID code 1	F hex (default value, can be changed by the user)	7 hex
Extended ID code 2	4 hex	5 hex
Profile	S-7.3.4	S-7.A.5

Tab. 18: Programming data



## 10.5 LED status display for AS interface

The LED bus status display indicates the status of the AS interface (LED green and red).

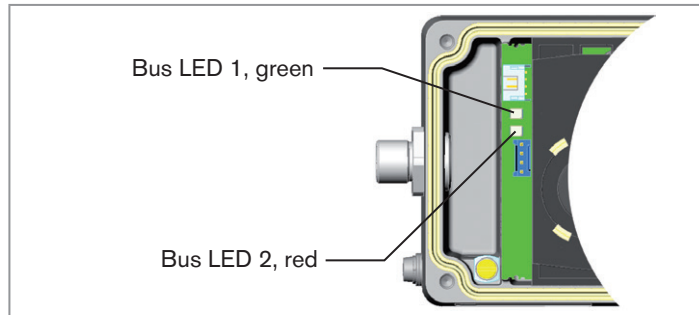


Fig. 16: LED status display for AS interface

Bus LED 1 (green)	Bus LED 2 (red)	
off	off	POWER OFF
off	on	No data traffic (expired Watch Dog at slave address does not equal 0)
on	off	OK
flashing	on	Slave address equals 0
off	flashing	Electronics fault of external reset
flashing	flashing	Timeout bus communication after 100 ms (peripheral fault)

Tab. 19: LED status display for AS interface

## 11 STARTING UP

### 11.1 Safety instructions



#### WARNING!


#### Risk of injury from improper operation!

Improper operation may result in injuries as well as damage to the device and the area around it.

- ▶ Before starting up, ensure that the operating personnel are familiar with and completely understand the contents of the operating instructions.
- ▶ Observe the safety instructions and intended use.
- ▶ Only adequately trained personnel may start up the equipment/ the device.

## 11.2 Specifying the basic settings

The basic settings of the positioner are implemented at the factory.

 To adjust the positioner to local conditions, the *X.TUNE* function must be run following installation.

### 11.2.1 Running the automatic adjustment for *X.TUNE*

#### **WARNING!**


**While the *X.TUNE* function is running, the valve automatically moves from its current position!**

- ▶ Never run *X.TUNE* while a process is running!
- ▶ Take appropriate measures to prevent the equipment from being unintentionally activated!

#### **NOTE!**

**Avoid maladjustment of the controller due to an incorrect supply pressure or applied operating medium pressure!**

- ▶ Run *X.TUNE* **whenever** the supply pressure (= pneumatic auxiliary energy) is available during subsequent operation.
- ▶ Run the *X.TUNE* function preferably **without** operating medium pressure to exclude interferences caused by flow forces.


 To run *X.TUNE*, the positioner must be in the AUTOMATIC operating state (DIP switch 4 = OFF).

→ Start the *X.TUNE* by pressing button 1<sup>9)</sup> for 5 s.

While *X.TUNE* is running, LED 1 flashes very quickly (green).

When the automatic adjustment is complete, LED 1 flashes slowly (green)<sup>10)</sup>.

The changes are automatically transferred to the memory (EEPROM) provided the *X.TUNE* function is successful.

 If LED 3 (red) is lit after the *X.TUNE* function started, the *X.TUNE* function was ended due to a fault.

- ▶ Check possible faults (see "[Tab. 10: Error messages while the \*X.TUNE\* function is running](#)").
- ▶ Then repeat the *X.TUNE* function.

<sup>7)</sup> The *X.TUNE* can also be started via communications software.

<sup>8)</sup> If a fault occurs, LED 3 is lit red.

## 12 TRANSPORT, STORAGE, PACKAGING

### NOTE!

#### Transport damage!

Inadequately protected devices may be damaged during transportation.

- Protect the device against moisture and dirt in shock-resistant packaging during transportation.
- Prevent the temperature from exceeding or dropping below the permitted storage temperature.
- Protect the pneumatic connections from damage by placing protective caps on them.

#### Incorrect storage may damage the device.

- Store the device in a dry and dust-free location!
- Storage temperature -20 ... 65°C.

#### Damage to the environment caused by device components contaminated with media.

- Dispose of the device and packaging in an environmentally friendly manner!
- Observe applicable disposal and environmental regulations.

## Positioner Typ EP 501 B

<b>1</b>	<b>DER QUICKSTART</b> .....	<b>29</b>	<b>7</b>	<b>BEDIENUNG</b> .....	<b>37</b>
1.1	Begriffsdefinition Gerät.....	29	7.1	Betriebszustand.....	37
1.2	Darstellungsmittel.....	29	7.2	Bedien- und Anzeigeelemente des Positioners.....	37
<b>2</b>	<b>BESTIMMUNGSGEMÄSSE VERWENDUNG</b> .....	<b>30</b>	7.3	Fehlermeldungen.....	40
2.1	Beschränkungen.....	30	<b>8</b>	<b>ANBAU UND MONTAGE</b> .....	<b>41</b>
<b>3</b>	<b>GRUNDLEGENDE SICHERHEITSHINWEISE</b> .....	<b>30</b>	8.1	Montage von Geräten für den Ex-Bereich.....	41
<b>4</b>	<b>ALLGEMEINE HINWEISE</b> .....	<b>31</b>	8.2	Anbau an ein Stetigventil mit Schwenkantrieb.....	41
4.1	Kontaktadressen.....	31	<b>9</b>	<b>PNEUMATISCHER ANSCHLUSS</b> .....	<b>44</b>
<b>5</b>	<b>SYSTEMBESCHREIBUNG</b> .....	<b>32</b>	9.1	Anschluss von Geräten für den Ex-Bereich.....	44
5.1	Aufbau.....	32	9.2	Sicherheitshinweise.....	44
5.2	Allgemeine Beschreibung.....	32	9.3	Sicherheitspositionen.....	45
5.3	AS-Interface.....	33	<b>10</b>	<b>ELEKTRISCHER ANSCHLUSS</b> .....	<b>47</b>
<b>6</b>	<b>TECHNISCHE DATEN</b> .....	<b>35</b>	10.1	Anschluss von Geräten für den Ex-Bereich.....	47
6.1	Konformität.....	35	10.2	Sicherheitshinweise.....	47
6.2	Normen.....	35	10.3	Elektrische Installation mit Kabelverschraubung.....	47
6.3	Betriebsbedingungen.....	35	10.4	Elektrische Installation AS-Interface.....	49
6.4	Mechanische Daten.....	35	10.5	LED Zustandsanzeige AS-Interface.....	50
6.5	Elektrische Daten.....	35	<b>11</b>	<b>INBETRIEBNAHME</b> .....	<b>50</b>
6.6	Elektrische Daten mit Busansteuerung AS-Interface (optional).....	36	11.1	Sicherheitshinweise.....	50
6.7	Pneumatische Daten.....	36	11.2	Festlegen der Grundeinstellungen.....	51
			<b>12</b>	<b>TRANSPORT, LAGERUNG, VERPACKUNG</b> .....	<b>52</b>

## 1 DER QUICKSTART

Der Quickstart enthält in Kurzform die wichtigsten Informationen und Hinweise für den Gebrauch des Geräts. Die ausführliche Beschreibung finden Sie in der Bedienungsanleitung für den Typ EP 501.

Bewahren Sie den Quickstart so auf, dass er für jeden Benutzer gut zugänglich ist und jedem neuen Eigentümer des Geräts wieder zur Verfügung steht.

### Wichtige Informationen zur Sicherheit!

Lesen Sie den Quickstart sorgfältig durch. Beachten Sie vor allem die Kapitel „[Grundlegende Sicherheitshinweise](#)“ und „[Bestimmungsgemäße Verwendung](#)“.

- ▶ Der Quickstart muss gelesen und verstanden werden.

### 1.1 Begriffsdefinition Gerät

Der in dieser Anleitung verwendete Begriff „Gerät“ steht immer für den Positioner Typ EP 501 B.

### 1.2 Darstellungsmittel

In dieser Anleitung werden folgende Darstellungsmittel verwendet.

#### **GEFAHR!**

##### Warnt vor einer unmittelbaren Gefahr!

- ▶ Bei Nichtbeachtung sind Tod oder schwere Verletzungen die Folge.

#### **WARNUNG!**

##### Warnt vor einer möglicherweise gefährlichen Situation!

- ▶ Bei Nichtbeachtung können schwere Verletzungen oder Tod die Folge sein.

#### **VORSICHT!**

##### Warnt vor einer möglichen Gefährdung!

- ▶ Nichtbeachtung kann mittelschwere oder leichte Verletzungen zur Folge haben.

#### **HINWEIS!**

##### Warnt vor Sachschäden!



Wichtige Tipps und Empfehlungen.



verweist auf Informationen in dieser Anleitung oder in anderen Dokumentationen.

- ▶ markiert eine Anweisung zur Gefahrenvermeidung.

→ markiert einen Arbeitsschritt, den Sie ausführen müssen.

## 2 BESTIMMUNGSGEMÄSSE VERWENDUNG

Bei nicht bestimmungsgemäßem Einsatz des Positioners Typ EP 501 B können Gefahren für Personen, Anlagen in der Umgebung und für die Umwelt entstehen.

Das Gerät ist konzipiert für die Steuerung und Regelung von Medien.

- ▶ Gerät nicht der direkten Sonneneinstrahlung aussetzen.
- ▶ Als Versorgungsspannung darf keine pulsierende Gleichspannung (gleichgerichtete Wechselfspannung ohne Glättung) verwendet werden.
- ▶ Für den Einsatz sind die in den Vertragsdokumenten und der Bedienungsanleitung spezifizierten zulässigen Daten, Betriebs- und Einsatzbedingungen zu beachten, die im Kapitel „[6 Technische Daten](#)“ dieser Anleitung und in der Ventilanleitung für das jeweilige pneumatisch betätigte Ventil beschrieben sind.
- ▶ Prüfen Sie, angesichts der Vielzahl möglicher Einsatz- und Verwendungsfälle, ob der Positioner für den konkreten Einsatzfall geeignet ist.
- ▶ Voraussetzungen für den sicheren und einwandfreien Betrieb sind sachgemäßer Transport, sachgemäße Lagerung und Installation sowie sorgfältige Bedienung und Instandhaltung.
- ▶ Den Positioner Typ EP 501 B nur bestimmungsgemäß einsetzen.

### 2.1 Beschränkungen

Beachten Sie bei der Ausfuhr des Systems/Geräts gegebenenfalls bestehende Beschränkungen.

## 3 GRUNDLEGENDE SICHERHEITSHINWEISE

Diese Sicherheitshinweise berücksichtigen keine

- Zufälligkeiten und Ereignisse, die bei Montage, Betrieb und Wartung der Geräte auftreten können.
- ortsbezogenen Sicherheitsbestimmungen, für deren Einhaltung, auch in Bezug auf das Montagepersonal, der Betreiber verantwortlich ist.



### Gefahr durch hohen Druck!

- ▶ Vor dem Lösen von Leitungen und Ventilen den Druck abschalten und Leitungen entlüften.

### Gefahr durch elektrische Spannung!

- ▶ Vor Eingriffen in das Gerät oder die Anlage Spannung abschalten und vor Wiedereinschalten sichern!
- ▶ Die geltenden Unfallverhütungs- und Sicherheitsbestimmungen für elektrische Geräte beachten!

### Allgemeine Gefahrensituationen.

Zum Schutz vor Verletzungen ist zu beachten:

- ▶ Im explosionsgefährdeten Bereich darf der Positioner Typ EP 501 B nur entsprechend der Spezifikation auf dem separaten Ex-Typschild eingesetzt werden. Für den Einsatz muss die dem Gerät beiliegende Zusatzinformation mit Sicherheitshinweisen für den Ex-Bereich beachtet werden.
- ▶ Geräte ohne separates Ex-Typschild dürfen nicht im explosionsgefährdeten Bereich eingesetzt werden.

- ▶ Dass die Anlage nicht unbeabsichtigt betätigt werden kann.
- ▶ Installations- und Instandhaltungsarbeiten dürfen nur von autorisiertem Fachpersonal mit geeignetem Werkzeug ausgeführt werden.
- ▶ Nach einer Unterbrechung der elektrischen oder pneumatischen Versorgung ist ein definierter oder kontrollierter Wiederanlauf des Prozesses zu gewährleisten.
- ▶ Das Gerät darf nur in einwandfreiem Zustand und unter Beachtung der Bedienungsanleitung betrieben werden.
- ▶ Für die Einsatzplanung und den Betrieb des Geräts müssen die allgemeinen Regeln der Technik eingehalten werden.

Zum Schutz vor Sachschäden am Gerät ist zu beachten:

- ▶ In den Druckversorgungsanschluss des Systems keine aggressiven oder brennbaren Medien einspeisen.
- ▶ In den Druckversorgungsanschluss keine Flüssigkeiten einspeisen.
- ▶ Gehäuse nicht mechanisch belasten (z. B. durch Ablage von Gegenständen oder als Trittstufe).
- ▶ Keine äußerlichen Veränderungen an den Gerätegehäusen vornehmen. Gehäuseteile und Schrauben nicht lackieren.

### HINWEIS!

#### Elektrostatisch gefährdete Bauelemente / Baugruppen!

Das Gerät enthält elektronische Bauelemente, die gegen elektrostatische Entladung (ESD) empfindlich reagieren. Berührung mit elektrostatisch aufgeladenen Personen oder Gegenständen gefährdet diese Bauelemente. Im schlimmsten Fall werden sie sofort zerstört oder fallen nach der Inbetriebnahme aus.

- Beachten Sie die Anforderungen nach EN 61340-5-1 und 5-2, um die Möglichkeit eines Schadens durch schlagartige elektrostatische Entladung zu minimieren bzw. zu vermeiden!
- Achten Sie ebenso darauf, dass Sie elektronische Bauelemente nicht bei anliegender Versorgungsspannung berühren!



Der Positioner Typ EP 501 B wurde unter Einbeziehung der anerkannten sicherheitstechnischen Regeln entwickelt und entspricht dem Stand der Technik. Trotzdem können Gefahren entstehen.

Bei Nichtbeachtung dieser Bedienungsanleitung und ihrer Hinweise sowie bei unzulässigen Eingriffen in das Gerät entfällt jegliche Haftung unsererseits, ebenso erlischt die Gewährleistung auf Geräte und Zubehörteile!

## 4 ALLGEMEINE HINWEISE

### 4.1 Kontaktadressen

#### Deutschland

Automatisierungstechnik

**EBRO ARMATUREN Gebr. Bröer GmbH**

Karlstraße 8

D-58135 Hagen

Tel. + 49 (0) 2331 - 904 0

Fax + 49 (0) 2331 - 904 111

E-mail: [post@ebro-armaturen.com](mailto:post@ebro-armaturen.com)

## 5 SYSTEMBESCHREIBUNG

### 5.1 Aufbau

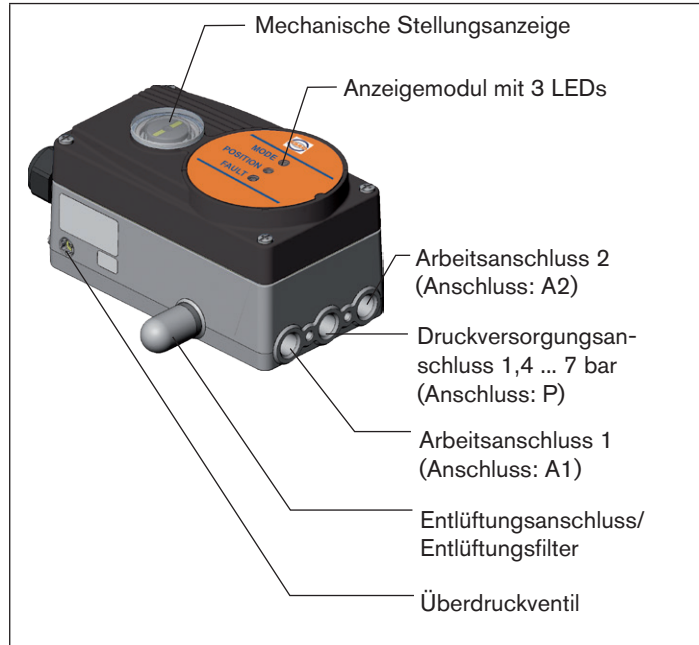


Bild 1: Aufbau, Positioner Type EP 501 B

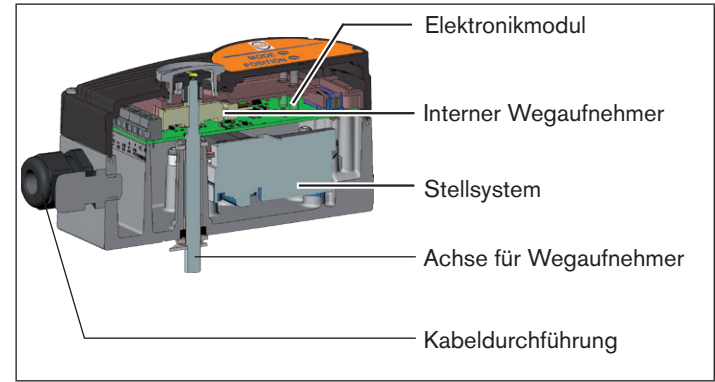


Bild 2: Aufbau, Positioner Typ EP 501 B

### 5.2 Allgemeine Beschreibung

Der Positioner Typ EP 501 B ist ein digitaler, elektropneumatischer Stellungsregler für pneumatisch betätigte Stetigventile. Das Gerät umfasst die Hauptfunktionsgruppen

- Wegaufnehmer
- elektropneumatisches Stellsystem
- Mikroprozessorelektronik

Der Wegaufnehmer misst die aktuellen Positionen des Stetigventils. Die Mikroprozessorelektronik vergleicht die aktuelle Position (Istwert) kontinuierlich mit einem über den Normsignaleingang vorgegebenen Stellungs-Sollwert und führt das Ergebnis dem Stellungsregler zu. Liegt eine Regeldifferenz vor, wird durch das elektropneumatische Stellsystem eine entsprechende Korrektur der Istposition herbeigeführt.



## 5.3 AS-Interface

### 5.3.1 AS-Interface-Anschaltung

AS-Interface (Aktor-Sensor-Interface) ist ein Feldbussystem, das hauptsächlich zur Vernetzung von binären Sensoren und Aktoren (Slaves) mit einer übergeordneten Steuerung (Master) dient.

#### Busleitung

Ungeschirmte Zweidrahtleitung (AS-Interface-Leitung als AS-Interface-Formkabel), auf der sowohl Informationen (Daten) als auch Energie (Spannungsversorgung der Aktoren und Sensoren) übertragen werden.

#### Netztopologie

In breiten Grenzen frei wählbar, d.h. es sind Stern-, Baum- und Liniennetze möglich. Weitere Details beschreibt die AS-Interface-Spezifikation (Ausführung A/B-Slave konform zur Spezifikation Version 3.0).

### 5.3.2 Technische Daten für AS-Interface-Leiterplatten

	Version Profil S-7.3.4	Version Profil S-7.A.5
Versorgung	über AS-Interface	über AS-Interface
Ausgänge	16 Bit Sollwert	16 Bit Sollwert
Eingänge	-	16 Bit Rückmeldung
Zertifizierung	Zertifikat Nr. 87301 nach Version 3.0	Zertifikat Nr. 95401 nach Version 3.0

Tab. 1: Technische Daten

### 5.3.3 Programmierdaten für AS-Interface-Leiterplatten

	Version Profil S-7.3.4	Version Profil S-7.A.5
E/A-Konfiguration	7 hex	7 hex
ID-Code	3 hex (analoges Profil)	A hex
Erweiterter ID-Code 1	F hex (Default-Wert, vom Anwender veränderbar)	7 hex
Erweiterter ID-Code 2	4 hex	5 hex
Profil	S-7.3.4	S-7.A.5

Tab. 2: Programmierdaten

#### Bitbelegung

1. Ausgang Sollwert  
(Wertebereich 0 ... 10.000, entspricht 0 ... 100 %)
2. Eingang Rückmeldung<sup>14)</sup>  
(Wertebereich 0 ... 10.000, entspricht 0 ... 100 %)

Byte 2							
0	0	D13	D12	D11	D10	D9	D8
Byte 1							
D7	D6	D5	D4	D3	D2	D1	D0
Parameterbit	P3	P2	P1	P0			
Ausgang	nicht belegt	nicht belegt	nicht belegt	nicht belegt			

Tab. 3: Bitbelegung

### 5.3.4 Ablauf der Kommunikation bei der Version Profil S-7.A.5

1. Der AS-Interface Master (ab Masterklasse 4) tauscht nach dem Anlauf automatisch das ID-Objekt mit der S-7.A.5 Slave aus.

Master sendet 3 Byte:		
1. Byte	2. Byte	3. Byte
Code = 16 dez	Index = 0 dez	Length = 5 dez



S-7.A.5 Slave antwortet mit 6 Byte					
1. Byte	2. Byte	3. Byte	4. Byte	5. Byte	6. Byte
Code	Vendor ID (high)	Vendor ID (low)	Device ID (high)	Device ID (low)	1 word output + 1 word input
= 80 dez	= 120 dez		= 1 dez		= 34 dez

oder mit 2 Byte (Read Response not OK)					
1. Byte	2. Byte				
Code	Error Code				
= 144 dez	= 0 dez (no error)	1 dez (illegal index)	2 dez (illegal length)	3 dez (request not implemented)	4 dez (busy)

2. Danach können folgende zyklische Befehle verwendet werden:

Code = 0 (get cyclic data from Slave)  
→ für Rückmeldung 0 ... 100 %

Code = 1 (put cyclic data to slave)  
→ für Sollwert 0 ... 100 %

## 6 TECHNISCHE DATEN

### 6.1 Konformität

Der Positioner Typ EP 501 B ist konform zu den EG-Richtlinien entsprechend der EG-Konformitätserklärung.

### 6.2 Normen

Die angewandten Normen, mit denen die Konformität mit den EG-Richtlinien nachgewiesen wird, sind in der EG-Baumusterprüfbescheinigung und/oder der EG-Konformitätserklärung nachzulesen.

### 6.3 Betriebsbedingungen

#### HINWEIS!

**Beim Einsatz im Außenbereich kann das Gerät durch Sonneneinstrahlung und Temperaturschwankungen belastet werden, die Fehlfunktionen oder Undichtheiten bewirken können!**

- Das Gerät bei Einsatz im Außenbereich nicht ungeschützt den Witterungsverhältnissen aussetzen.
- Darauf achten, dass die zulässige Umgebungstemperatur nicht über- oder unterschritten wird.

Umgebungstemperatur 0 ... +60 °C

Schutzart IP65 / IP67<sup>1)</sup> nach EN 60529 (nur bei korrekt angeschlossenenem Kabel bzw. Stecker und Buchsen)

<sup>1)</sup> Bei Einsatz des Positioners unter IP67 Bedingungen, muss der Entlüftungsfiter (siehe „Bild 1“) entfernt und die Abluft in den trockenen Bereich geführt werden.

### 6.4 Mechanische Daten

Maße siehe Datenblatt

Material

Gehäusematerial Aluminium kunststoffbeschichtet  
 Sonstige Außenteile rostfreier Stahl (V4A), PC, PE, POM, PTFE

Dichtungsmaterial EPDM, NBR, FKM

Gewicht ca. 1,0 kg

### 6.5 Elektrische Daten

Anschlüsse 2 Kabelverschraubungen (M20 x 1,5) mit Schraubklemmen 0,14 ... 1,5 mm<sup>2</sup> oder Rundsteckverbinder (M12, 8-polig)

Schnittstellen Kommunikationsschnittstelle USB: Direkter Anschluss an PC über USB Adapter. Kommunikation mit Kommunikationssoftware auf FTD/DTM Technologie. Es ist ein externer Adapter mit integriertem Schnittstellentreiber notwendig.

Versorgungsspannung 24 V DC ± 10 %  
 max. Restwelligkeit 10 %

Leistungsaufnahme < 3,5 W

Eingangswiderstand für Sollwertsignal 180 Ω bei 0/4 - 20 mA / Auflösung 12 bit

Schutzklasse	3 nach VDE 0580
Analoge Stellungsrückmeldung max. Bürde. Last für Stromausgang 0/4 ... 20 mA	560 Ω
Induktive Näherungsschalter	100 mA Strombegrenzung
Binäreingang	nicht galvanisch getrennt 0 ... 5 V = log „0“, 10 ... 30 V = log „1“ invertierter Eingang entsprechend umgekehrt (Eingangsstrom < 6 mA)

### 6.6 Elektrische Daten mit Busansteuerung AS-Interface (optional)

Anschlüsse	Rundsteckverbinder (M12, 4-polig)
Versorgungsspannung	29,5 V ... 31,6 V DC (gemäß Spezifikation)

Geräte ohne externe Versorgungsspannung:  
Max. Stromaufnahme 150 mA

Geräte mit externer Versorgungsspannung:  
Externe Versorgungs-  
spannung 24 V ± 10 %, das Netzgerät muss eine  
sichere Trennung nach IEC 364-4-41  
(PELV oder SELV) enthalten

Max. Stromaufnahme	100 mA
Max. Stromaufnahme aus AS-Interface	50 mA

### 6.7 Pneumatische Daten

Steuermedium	Qualitätsklassen nach DIN ISO 8573-1
Staubgehalt	Klasse 5, max. Teilchengröße 40 µm, max. Teilchendichte 10 mg/m <sup>3</sup>
Wassergehalt	Klasse 3, max. Drucktaupunkt - 20 °C oder min. 10 Grad unterhalb der niedrigsten Betriebstemperatur
Ölgehalt	Klasse 5, max. 25 mg/m <sup>3</sup>
Temperaturbereich der Druckluft	0 ... +60 °C
Druckbereich	1,4 ... 7 bar
Luftleistung	95 I <sub>N</sub> / min (bei 1,4 bar <sup>2)</sup> für Belüftung und Entlüftung 150 I <sub>N</sub> / min (bei 6 bar <sup>2)</sup> für Belüftung und Entlüftung (Q <sub>Nn</sub> = 100 I <sub>N</sub> / min (nach Definition bei Druckabfall von 7 auf 6 bar absolut)
Anschlüsse	Innengewinde G1/4"

<sup>2)</sup> Druckangaben: Überdruck zum Atmosphärendruck

## 7 BEDIENUNG

### 7.1 Betriebszustand

#### AUTOMATIK (AUTO)

Im Betriebszustand AUTOMATIK wird der normale Reglerbetrieb ausgeführt und überwacht.

→ LED 1 (MODE) blinkt grün.

#### HAND

Im Betriebszustand HAND kann das Ventil manuell über die Tasten auf- oder zugefahren werden.

→ LED 1 (MODE) blinkt grün.

→ LED 3 (FAULT) blinkt rot

Über den DIP-Schalter 4 kann zwischen den beiden Betriebszuständen AUTOMATIK und HAND gewechselt werden (siehe Kapitel [„7.2.2 Funktion der DIP-Schalter“](#)).

### 7.2 Bedien- und Anzeigeelemente des Positioners

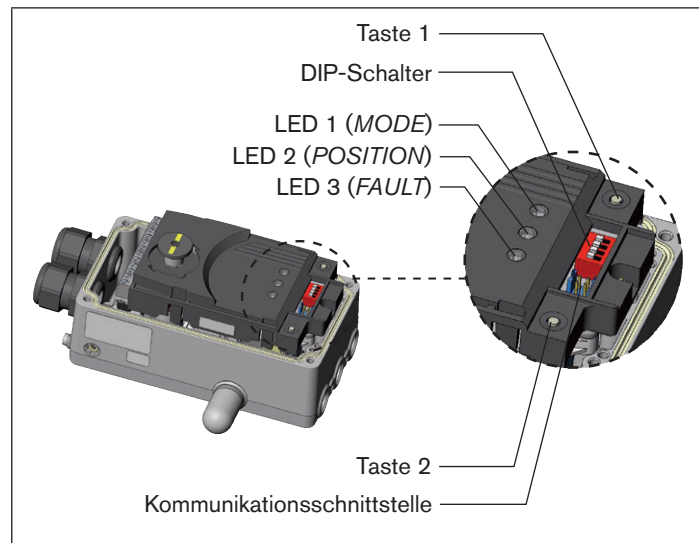


Bild 3: Beschreibung Bedienelemente

Der Positioner ist mit 2 Tasten, 4 DIP-Schalter und 3 LEDs als Anzeigeelement ausgestattet.

### 7.2.1 Belegung der Tasten

Die Belegung der 2 Tasten im Inneren des Gehäuses sind je nach Betriebszustand (AUTOMATIK / HAND) unterschiedlich.

Die Beschreibung der Betriebszustände (AUTOMATIK / HAND) finden Sie im Kapitel „7.1 Betriebszustand“.

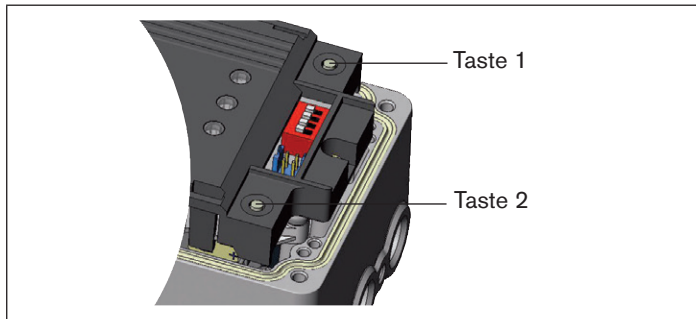


Bild 4: Beschreibung Tasten

Betriebszustand HAND (DIP-Schalter 4 auf ON):

Taste	Funktion
1	Belüften <sup>3)</sup> (manuelles Auf- / Zufahren des Antriebs) <sup>4)</sup>
2	Entlüften <sup>3)</sup> (manuelles Auf- / Zufahren des Antriebs) <sup>4)</sup>

<sup>3)</sup> Ohne Funktion, wenn über die Kommunikationssoftware der Binäreingang mit Funktion „H/A-Umschaltung“ aktiviert wurde.  
<sup>4)</sup> Abhängig von der Steuerfunktion des Antriebs.

Tab. 4: Tastenbelegung Betriebszustand HAND

Betriebszustand AUTOMATIK (DIP-Schalter 4 auf OFF):

Taste	Funktion
1	durch 5 Sekunden langes Drücken startet die Funktion <i>X.TUNE</i>
2	-

Tab. 5: Tastenbelegung Betriebszustand AUTOMATIK

### 7.2.2 Funktion der DIP-Schalter



DIP-Schalter	Stellung	Funktion
1	ON	Umkehr der Wirkrichtung des Sollwerts ( <i>DIR.CMD</i> ) (Sollwert 20 ... 4 mA = Position 0 ... 100 %)
	OFF	Normale Wirkrichtung des Sollwerts (Sollwert 4 ... 20 mA = Position 0 ... 100 %)
2	ON	Dichtschließfunktion aktiv. Das Ventil schließt unterhalb 2 % <sup>5)</sup> und öffnet oberhalb 98 % des Sollwerts vollständig ( <i>CUTOFF</i> )
	OFF	Keine Dichtschließfunktion

DIP-Schalter	Stellung	Funktion
3	ON	Korrekturkennlinie zur Anpassung der Betriebskennlinie (Linearisierung der Prozesskennlinie, <i>CHARACT</i> ) <sup>6)</sup>
	OFF	Lineare Kennlinie
4	ON	HAND Betriebszustand Manuell
	OFF	AUTO Betriebszustand AUTOMATIK

<sup>5)</sup> Werkseinstellung, kann über Kommunikationssoftware geändert werden.  
<sup>6)</sup> Der Kennlinientyp kann über Kommunikationssoftware geändert werden

Tab. 6: Funktion der DIP-Schalter



### Hinweise zur Kommunikationssoftware:

Die Schaltstellung des DIP-Schalters hat Vorrang vor der Kommunikationssoftware!

Wenn die Werte der Dichtschließfunktion (*CUTOFF*) oder der Korrekturkennlinie (*CHARACT*) über das Softwaretool geändert werden, muss die entsprechende Funktion aktiv sein (DIP-Schalter auf ON).

Die Wirkrichtung des Sollwerts (*DIR.CMD*) kann nur über die DIP-Schalter geändert werden.

### 7.2.3 Anzeige der LEDs

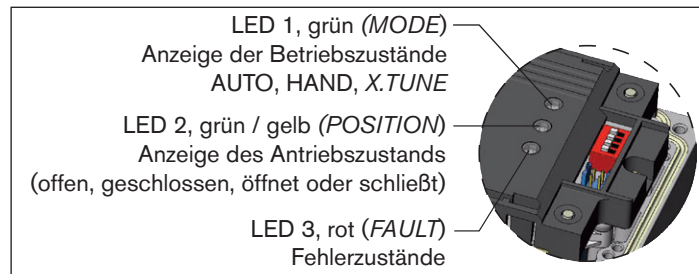


Bild 5: Anzeige LED

### LED 1 (grün, *MODE*) und LED 3 (rot, *FAULT*)

LED-Zustände		Anzeige
grün	rot	
an	aus	Hochlaufphase bei Power ON
blinkt langsam	aus	Betriebszustand AUTO
blinkt im Wechsel	blinkt	Betriebszustand HAND
blinkt schnell	aus	<i>X.TUNE</i> Funktion
aus	an	FEHLER (siehe Kapitel „7.3 Fehlermeldungen“)
blinkt langsam	blinkt	Betriebszustand AUTO bei Fühlerbruchererkennung

Tab. 7: LED Zustände, LED 1 und LED 3

**LED 2 (grün / gelb, POSITION)**

LED-Zustände		Anzeige
grün	gelb	
an	aus	Antrieb geschlossen
aus	an	Antrieb offen
blinkt langsam	aus	bleibende Regelabweichung (Ist-Wert > Soll-Wert)
aus	blinkt langsam	bleibende Regelabweichung (Ist-Wert < Soll-Wert)
blinkt schnell	aus	Schließen im Betriebszustand HAND
aus	blinkt schnell	Öffnen im Betriebszustand HAND

Tab. 8: LED Zustände, LED 2

**7.3 Fehlermeldungen**
**7.3.1 Fehlermeldungen in den Betriebszuständen  
HAND und AUTOMATIK**

Anzeige	Fehlerursache	Abhilfe
LED 3 FAULT (rot) an	Checksum-Fehler im Datenspeicher → Datenspeicher defekt → Das Gerät schaltet auto- matisch in einen älteren (eventuell nicht aktuellen) Datensatz um.	Abhilfe nicht möglich. Gerät defekt. Setzen Sie sich mit Ihrer EBRO-Ver- triebsniederlassung in Verbindung.

 Tab. 9: Fehlermeldungen in den Betriebszuständen HAND und  
AUTOMATIK



### 7.3.2 Fehlermeldungen bei der Durchführung der Funktion X.TUNE

Anzeige	Fehlerursache	Abhilfe
LED 3 FAULT (rot) an	Keine Druckluft angeschlossen	Druckluft anschließen
	Druckluftausfall während der Funktion X.TUNE	Druckluftversorgung kontrollieren
	Antrieb bzw. Stellsystem-Entlüftungsseite undicht	Abhilfe nicht möglich. Gerät defekt
	Stellsystem-Belüftungsseite undicht	Abhilfe nicht möglich. Gerät defekt
	Der Drehbereich des Wegaufnehmers von 180° wird überschritten	Anbau der Welle des Wegaufnehmers an den Antrieb korrigieren

Tab. 10: Fehlermeldungen bei der Durchführung der Funktion X.TUNE

## 8 ANBAU UND MONTAGE

### 8.1 Montage von Geräten für den Ex-Bereich

Bei der Montage im explosionsgeschützten Bereich muss die den Ex-Geräten beiliegende „Zusatzinformation für den Einsatz im Ex-Bereich“ beachtet werden.

### 8.2 Anbau an ein Stetigventil mit Schwenkantrieb

Die Achse des im Positioner integrierten Wegaufnehmers wird direkt an die Achse des Schwenkantriebs angekoppelt.



Der Anbausatz an Schwenkantriebe kann als Zubehör bei EBRO bestellt werden. Die zugehörigen Teile sind in der „[Tab. 11: Anbausatz an Schwenkantrieb](#)“ aufgelistet.

Nr.	Stück	Benennung
1	1	Adapter
2	2	Gewindestift DIN 913 M4 x 10
3	4	Zylinderschraube DIN 933 M6 x 12
4	4	Federring B6
5	2	Sechskantmutter DIN 985, M4

Tab. 11: Anbausatz an Schwenkantrieb

**8.2.1 Montage**

**WARNUNG!**
**Verletzungsgefahr bei unsachgemäßer Montage!**

- ▶ Die Montage darf nur autorisiertes Fachpersonal mit geeignetem Werkzeug durchführen!

**Verletzungsgefahr durch ungewolltes Einschalten der Anlage und unkontrollierten Wiederanlauf!**

- ▶ Anlage vor unbeabsichtigtem Betätigen sichern.
- ▶ Nach der Montage einen kontrollierten Wiederanlauf gewährleisten.

**Vorgehensweise:**

- Die Anbauposition des Positioners festlegen:
  - parallel zum Antrieb oder
  - um 90° gedreht zum Antrieb.
- Grundstellung und Drehrichtung des Antriebs ermitteln.


**Verdrehschutz:**
**Die Anflachung der Achse beachten!**

Als Verdrehschutz muss einer der Gewindestifte auf der Anflachung der Achse aufliegen (siehe „Bild 6“).

- Adapter ① auf die Achse des Positioners stecken und mit 2 Gewindestiften befestigen.
- Gewindestifte mit selbstsichernden Muttern sichern.


**Drehbereich des Wegaufnehmers:**

Der maximale Drehbereich des Wegaufnehmers beträgt 180°. Die Achse des Positioners darf nur innerhalb dieses Bereichs bewegt werden.

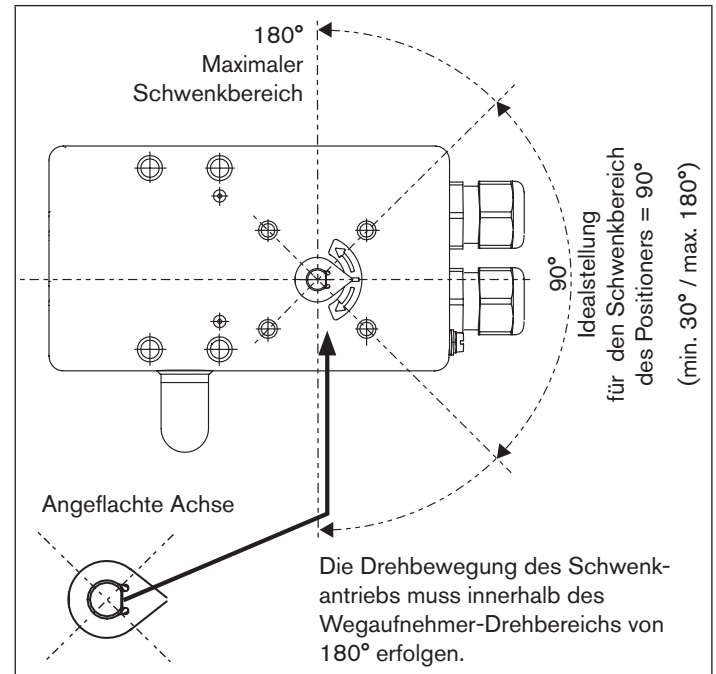


Bild 6: Drehbereich / Verdrehschutz

- Die mehrteilige Montagebrücke\* passend zum Antrieb aufbauen.
- Die Montagebrücke mit 4 Zylinderschrauben ③ und Feder-  
ringen ④ am Positioner befestigen (siehe „Bild 7“).

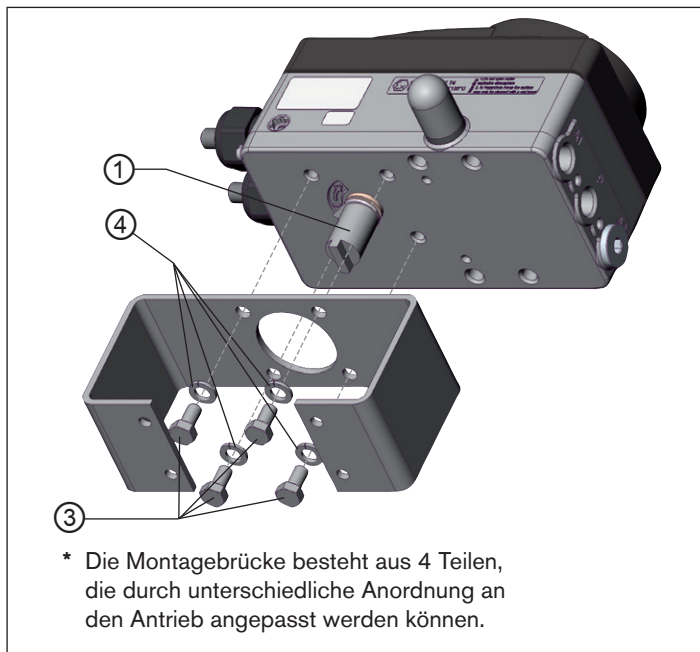


Bild 7: Montagebrücke befestigen (schematische Darstellung)

- Positioner mit Montagebrücke auf den Schwenkantrieb aufsetzen und befestigen (siehe „Bild 8“)



Bild 8: Schwenkantriebsbefestigung

## 9 PNEUMATISCHER ANSCHLUSS

### 9.1 Anschluss von Geräten für den Ex-Bereich

Beim Anschluss im explosionsgeschützten Bereich muss die den Ex-Geräten beiliegende „Zusatzinformation für den Einsatz im Ex-Bereich“ beachtet werden.

### 9.2 Sicherheitshinweise



#### GEFAHR!

##### Verletzungsgefahr durch hohen Druck in der Anlage!

- ▶ Vor dem Lösen von Leitungen und Ventilen den Druck abschalten und Leitungen entlüften.



#### WARNUNG!

##### Verletzungsgefahr bei unsachgemäßer Installation!

- ▶ Die Installation darf nur autorisiertes Fachpersonal mit geeignetem Werkzeug durchführen!

##### Verletzungsgefahr durch ungewolltes Einschalten der Anlage und unkontrollierten Wiederanlauf!

- ▶ Anlage vor unbeabsichtigtem Betätigen sichern.
- ▶ Nach der Installation einen kontrollierten Wiederanlauf gewährleisten.

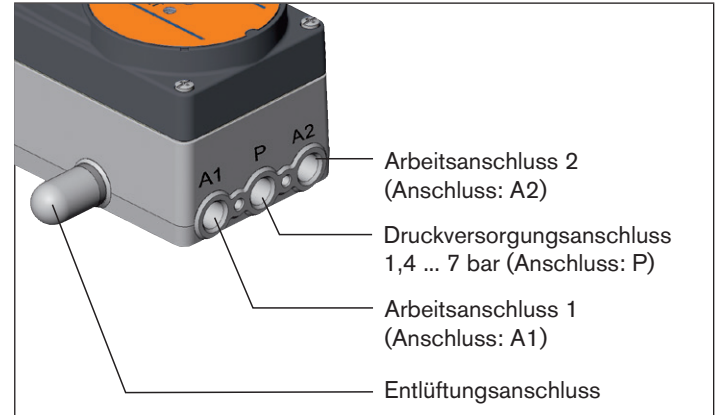


Bild 9: Pneumatische Installation / Lage der Anschlüsse

#### Vorgehensweise:

- Versorgungsdruck ( 1,4 ... 7 bar) an den Druckversorgungsanschluss P anlegen.

#### Bei einwirkenden Antrieben (Steuerfunktion A und B):

- Einen Arbeitsanschluss (A1 oder A2, je nach gewünschter Sicherheitsposition) mit der Kammer des einwirkenden Antriebs verbinden.  
Sicherheitspositionen siehe Kapitel „[9.3 Sicherheitspositionen](#)“.
- Nicht benötigten Arbeitsanschluss mit einem Verschlussstopfen verschließen.

**Bei doppeltwirkenden Antrieben (Steuerfunktion I):**

- Arbeitsanschlüsse A1 und A2 mit den jeweiligen Kammern des doppeltwirkenden Antriebs verbinden.  
Sicherheitspositionen siehe Kapitel [„9.3 Sicherheitspositionen“](#).



**Wichtige Information für einwandfreies Regelverhalten!**

Damit das Regelverhalten im oberen Hubbereich aufgrund zu kleiner Druckdifferenz nicht stark negativ beeinflusst wird

- den anliegenden Versorgungsdruck mindestens 0,5 ... 1 bar über dem Druck halten, der notwendig ist um den pneumatischen Antrieb in Endstellung zu bringen.

Bei größeren Schwankungen sind die mit der Funktion X.TUNE eingemessenen Reglerparameter nicht optimal.

- die Schwankungen des Versorgungsdrucks während des Betriebs möglichst gering halten (max. ±10 %).

**9.3 Sicherheitspositionen**

Die Sicherheitsposition nach Ausfall der elektrischen Hilfsenergie ist vom pneumatischen Anschluss des Antriebs an die Arbeitsanschlüsse A1 oder A2 abhängig.

**9.3.1 Einfachwirkende Antriebe**

Antriebsart	Sicherheitspositionen nach Ausfall der elektrischen Hilfsenergie	
	elektrischen Hilfsenergie	pneumatischen Hilfsenergie
 Steuerfunktion A	down → Anschluss nach <a href="#">„Bild 10“</a>	down
	up → Anschluss nach <a href="#">„Bild 11“</a>	
 Steuerfunktion B	up → Anschluss nach <a href="#">„Bild 10“</a>	up
	down → Anschluss nach <a href="#">„Bild 11“</a>	

Tab. 12: Sicherheitspositionen - einfachwirkende Antriebe

**Einfachwirkende Antriebe - Steuerfunktion A oder B**



Arbeitsanschluss A1  
an Antrieb anschließen  
A2 verschließen

Bild 10: Anschluss A1



Arbeitsanschluss A2  
an Antrieb anschließen  
A1 verschließen

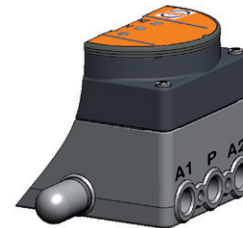
Bild 11: Anschluss A2

**9.3.2 Doppeltwirkende Antriebe**

Antriebsart	Sicherheitspositionen nach Ausfall der elektrischen Hilfsenergie		
	elektrischer Hilfsenergie	pneumatischer Hilfsenergie	
<p>obere Kammer untere Kammer up down</p> <p>Steuerfunktion I</p>	→ Anschluss siehe „Bild 12“	nicht definiert	
	up = untere Kammer des Antriebs an A2		
	down = obere Kammer des Antriebs an A2		

Tab. 13: Sicherheitspositionen - doppeltwirkende Antriebe

**Doppeltwirkende Antriebe - Steuerfunktion I**



Arbeitsanschluss A1 und A2  
an Antrieb anschließen  
Sicherheitsposition:  
up = untere Kammer an A2  
down = obere Kammer an A2

Bild 12: Anschluss bei SFI

## 10 ELEKTRISCHER ANSCHLUSS

### 10.1 Anschluss von Geräten für den Ex-Bereich

Beim Anschluss im explosionsgeschützten Bereich muss die den Ex-Geräten beiliegende „Zusatzinformation für den Einsatz im Ex-Bereich“ beachtet werden.

### 10.2 Sicherheitshinweise



#### GEFAHR!

##### Verletzungsgefahr durch Stromschlag!

- ▶ Vor Eingriffen in das Gerät oder die Anlage, Spannung abschalten und vor Wiedereinschalten sichern!
- ▶ Die geltenden Unfallverhütungs- und Sicherheitsbestimmungen für elektrische Geräte beachten!



#### WARNUNG!

##### Verletzungsgefahr bei unsachgemäßer Installation!

- ▶ Die Installation darf nur autorisiertes Fachpersonal mit geeignetem Werkzeug durchführen!

##### Verletzungsgefahr durch ungewolltes Einschalten der Anlage und unkontrollierten Wiederanlauf!

- ▶ Anlage vor unbeabsichtigtem Betätigen sichern.
- ▶ Nach der Installation einen kontrollierten Wiederanlauf gewährleisten.

### 10.3 Elektrische Installation mit Kabelverschraubung

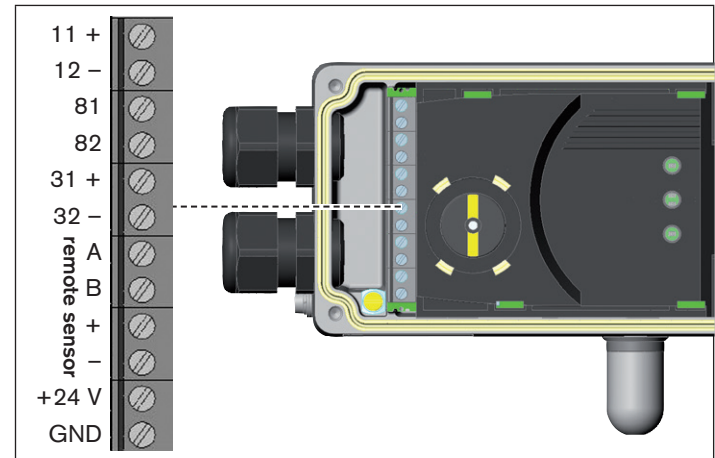






Bild 13: Bezeichnung der Schraubklemmen

### 10.3.1 Anschluss der Klemmen



- Die 4 Schrauben am Gehäusedeckel herausdrehen und den Deckel abnehmen.  
Die Schraubklemmen sind nun zugänglich.
- Klemmen entsprechend der Belegung anschließen.

### 10.3.2 Klemmenbelegung für Eingangssignale der Leitstelle (z. B. SPS)

Klemme	Belegung	Geräteseitig	Äußere Beschaltung / Signalpegel
11 +	Sollwert +	11 + 	+ (0/4 ... 20 mA) nicht galvanisch getrennt
12 -	Sollwert GND	12 - 	GND Sollwert
81 +	Binäreingang +	81 + 	+ $\begin{cases} 0 \dots 5 \text{ V (log. 0)} \\ 10 \dots 30 \text{ V (log. 1)} \end{cases}$
82 -	Binäreingang -	82 - 	GND (identisch mit GND Versorgungsspannung)

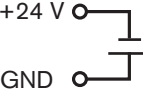
Tab. 14: Klemmenbelegung; Eingangssignale der Leitstelle

### 10.3.3 Klemmenbelegung für Ausgangssignale zur Leitstelle (z.B. SPS) - (nur bei Option Analoger Ausgang erforderlich)

Klemme	Belegung	Geräteseitig	Äußere Beschaltung / Signalpegel
31 +	Analoge Rückmeldung +	31 + 	+ (0/4 ... 20 mA) nicht galvanisch getrennt
32 -	Analoge Rückmeldung GND	32 - 	GND (identisch mit GND Versorgungsspannung)

Tab. 15: Klemmenbelegung; Ausgangssignale zur Leitstelle

### 10.3.4 Klemmenbelegung für Versorgungsspannung

Klemme	Belegung	Äußere Beschaltung / Signalpegel
+24 V	Versorgungsspannung +	 24 V DC ± 10 % max. Restwelligkeit 10 %
GND	Versorgungsspannung GND	

Tab. 16: Klemmenbelegung Versorgungsspannung



## 10.4 Elektrische Installation AS-Interface

### 10.4.1 Elektrischer Anschluss mit Rundsteckverbinder M12 x 1, 4-polig

#### Steckeransichten

Die Ansichten zeigen jeweils das Bild von vorn auf die Stifte, die Lötanschlüsse liegen dahinter.

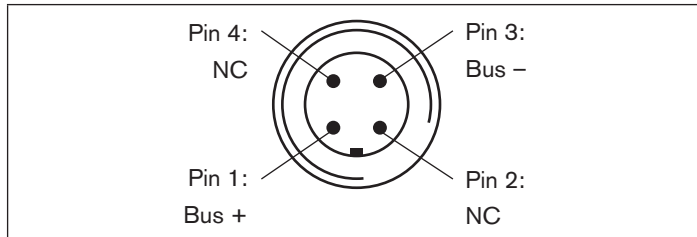


Bild 14: Busanschluss ohne externe Versorgungsspannung

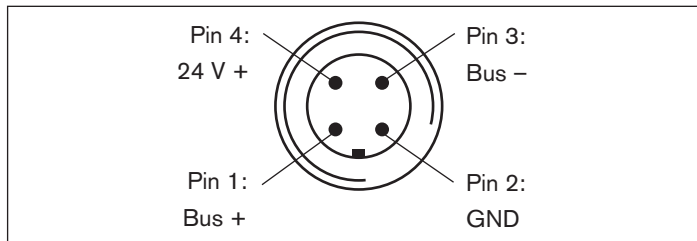


Bild 15: Busanschluss mit externer Versorgungsspannung (optional)  
Busanschluss ohne externe / mit externer Versorgungsspannung

Pin	Bezeichnung	Belegung
1	Bus +	Busleitung AS-Interface +
2	NC oder GND (optional)	nicht belegt oder externe Versorgungsspannung – (optional)
3	Bus –	Busleitung AS-Interface –
4	NC oder 24 V + (optional)	nicht belegt oder externe Versorgungsspannung + (optional)

Tab. 17: Pin-Belegung Rundsteckverbinder AS-Interface

Nach Anlegen der Betriebsspannung ist der Positioner in Betrieb.  
→ Die automatische Anpassung des Positioners auslösen, wie in Kapitel „11.2 Festlegen der Grundeinstellungen“ beschrieben.

### 10.4.2 Programmierdaten

	Version Profil S-7.3.4	Version Profil S-7.A.5
E/A-Konfiguration	7 hex	7 hex
ID-Code	3 hex (analoges Profil)	A hex
Erweiterter ID-Code 1	F hex (Default-Wert, vom Anwender veränderbar)	7 hex
Erweiterter ID-Code 2	4 hex	5 hex
Profil	S-7.3.4	S-7.A.5

Tab. 18: Programmierdaten

## 10.5 LED Zustandsanzeige AS-Interface

Die LED Zustandsanzeige Bus zeigt den Zustand des AS-Interface an (LED grün und rot).

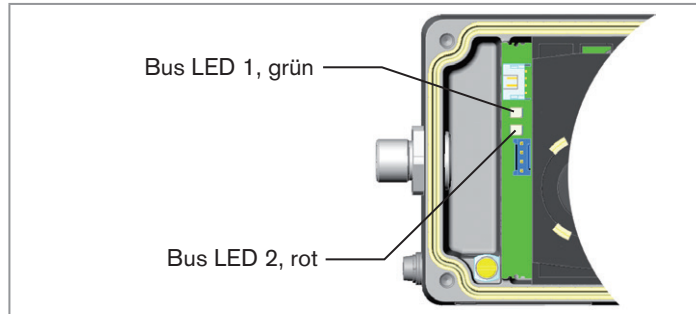


Bild 16: LED - Zustandsanzeige AS-Interface

Bus LED 1 (grün)	Bus LED 2 (rot)	
aus	aus	POWER OFF
aus	ein	kein Datenverkehr (abgelaufener Watch-Dog bei Slaveadresse ungleich 0)
ein	aus	OK
blinkt	ein	Slaveadresse gleich 0
aus	blinkt	Fehler Elektronik oder externer Reset
blinkt	blinkt	Timeout Buskommunikation nach 100 ms (Peripherie-Fehler)

Tab. 19: LED Zustandsanzeige AS-Interface

## 11 INBETRIEBNAHME

### 11.1 Sicherheitshinweise



#### WARNUNG!

#### Verletzungsgefahr bei unsachgemäßem Betrieb!

Nicht sachgemäßer Betrieb kann zu Verletzungen, sowie Schäden am Gerät und seiner Umgebung führen.

- ▶ Vor der Inbetriebnahme muss gewährleistet sein, dass der Inhalt der Bedienungsanleitung dem Bedienungspersonal bekannt ist und vollständig verstanden wurde.
- ▶ Die Sicherheitshinweise und die bestimmungsgemäße Verwendung müssen beachtet werden.
- ▶ Nur ausreichend geschultes Personal darf die Anlage/das Gerät in Betrieb nehmen.

## 11.2 Festlegen der Grundeinstellungen

Die Grundeinstellungen des Positioners werden werkseitig durchgeführt.



Zur Anpassung des Positioners an örtliche Bedingungen muss nach der Installation die Funktion *X.TUNE* ausgeführt werden

### 11.2.1 Ausführen der automatischen Anpassung *X.TUNE*



#### WARNUNG!

**Während der Ausführung der *X.TUNE* - Funktion bewegt sich das Ventil selbsttätig aus seiner augenblicklichen Stellung!**

- ▶ Führen Sie *X.TUNE* niemals bei laufendem Prozess durch!
- ▶ Verhindern Sie durch geeignete Maßnahmen, dass die Anlage unbeabsichtigt betätigt werden kann!

#### HINWEIS!

**Vermeiden Sie eine Fehlanpassung des Reglers durch einen falschen Versorgungsdruck oder aufgeschalteten Betriebsmediumsdruck!**

- Führen Sie *X.TUNE* in **jedem Fall** bei dem im späteren Betrieb zur Verfügung stehenden Versorgungsdruck (= pneumatische Hilfsenergie) durch.
- Führen Sie die Funktion *X.TUNE* vorzugsweise **ohne** Betriebsmediumsdruck durch, um Störeinflüsse infolge von Strömungskräften auszuschließen.



Zur Durchführung der *X.TUNE* muss sich der Positioner im Betriebszustand AUTOMATIK befinden (DIP-Schalter 4 = OFF).

→ Starten der *X.TUNE* durch 5 s langes Drücken der Taste 1<sup>9)</sup>.

Während der Durchführung der *X.TUNE* blinkt die LED 1 sehr schnell (grün).

Ist die automatische Anpassung beendet, blinkt die LED 1 langsam (grün)<sup>10)</sup>.

Die Änderungen werden automatisch nach erfolgreicher *X.TUNE* Funktion in den Speicher (EEPROM) übernommen.



Leuchtet nach dem Start der Funktion *X.TUNE* die LED 3 (rot), wurde die Funktion *X.TUNE* wegen eines Fehlers abgebrochen.

- Mögliche Fehler überprüfen (siehe [„Tab. 10: Fehlermeldungen bei der Durchführung der Funktion X.TUNE“](#)).
- Anschließend die Funktion *X.TUNE* wiederholen.

<sup>7)</sup> Starten der *X.TUNE* auch über Kommunikationssoftware möglich.

<sup>8)</sup> Bei Auftreten eines Fehlers leuchtet die LED 3 rot.

## 12 TRANSPORT, LAGERUNG, VERPACKUNG

### HINWEIS!

#### Transportschäden!

Unzureichend geschützte Geräte können durch den Transport beschädigt werden.

- Gerät vor Nässe und Schmutz geschützt in einer stoßfesten Verpackung transportieren.
- Eine Über- bzw. Unterschreitung der zulässigen Lagertemperatur vermeiden.
- Pneumatische Anschlüsse mit Schutzkappen vor Beschädigungen schützen.

#### Falsche Lagerung kann Schäden am Gerät verursachen.

- Gerät trocken und staubfrei lagern!
- Lagertemperatur -20 ... 65 °C.

#### Umweltschäden durch von Medien kontaminierte Geräteteile.

- Gerät und Verpackung umweltgerecht entsorgen!
- Geltende Entsorgungsvorschriften und Umweltbestimmungen einhalten.

## Positionneur type EP 501 B

<b>1</b>	<b>À PROPOS DU QUICKSTART</b> .....	<b>54</b>	<b>7</b>	<b>COMMANDE</b> .....	<b>62</b>
1.1	Définition du terme appareil.....	54	7.1	État de marche.....	62
1.1	Symboles.....	54	7.2	Éléments de commande et d'affichage du positionneur	62
<b>2</b>	<b>UTILISATION CONFORME</b> .....	<b>55</b>	7.3	Messages d'erreur.....	66
2.1	Limitations.....	55	<b>8</b>	<b>AJOUT ET MONTAGE</b> .....	<b>67</b>
<b>3</b>	<b>CONSIGNES DE SÉCURITÉ FONDAMENTALES</b> .....	<b>55</b>	8.1	Montage d'appareils pour une zone Ex.....	67
<b>4</b>	<b>INDICATIONS GÉNÉRALES</b> .....	<b>56</b>	8.2	Montage sur une vanne continue avec actionneur pivotant.....	67
4.1	Adresses.....	56	<b>9</b>	<b>RACCORDEMENT PNEUMATIQUE</b> .....	<b>69</b>
<b>5</b>	<b>DESCRIPTION DU SYSTÈME</b> .....	<b>57</b>	9.1	Raccordement d'appareils pour une zone Ex.....	69
5.1	Structure.....	57	9.2	Consignes de sécurité.....	69
5.2	Description générale.....	57	9.3	Positions de sécurité.....	71
5.3	Interface AS.....	58	<b>10</b>	<b>RACCORDEMENT ÉLECTRIQUE</b> .....	<b>72</b>
<b>6</b>	<b>CARACTÉRISTIQUES TECHNIQUES</b> .....	<b>60</b>	10.1	Raccordement d'appareils pour une zone Ex.....	72
6.1	Conformité.....	60	10.2	Consignes de sécurité.....	72
6.2	Normes.....	60	10.3	Installation électrique avec passe-câbles à vis.....	73
6.3	Conditions d'exploitation.....	60	10.4	Installation électrique interface AS.....	74
6.4	Caractéristiques mécaniques.....	60	10.5	LED d'indication d'état Interface AS.....	75
6.5	Caractéristiques électriques.....	60	<b>11</b>	<b>MISE EN SERVICE</b> .....	<b>76</b>
6.6	Caractéristiques électriques avec commande bus interface AS (en option).....	61	11.1	Consignes de sécurité.....	76
6.7	Caractéristiques pneumatiques.....	61	11.2	Détermination des réglages de base.....	76
			<b>12</b>	<b>TRANSPORT, STOCKAGE, EMBALLAGE</b> .....	<b>77</b>

## 1 À PROPOS DU QUICKSTART

Le Quickstart présente brièvement les informations et instructions les plus importantes relatives à l'utilisation de l'appareil. Vous trouverez la description détaillée dans le manuel d'utilisation du type EP 501.

Conservez ce Quickstart de sorte qu'il soit accessible à tout utilisateur et à disposition de tout nouveau propriétaire.

### Informations importantes pour la sécurité !

Lisez attentivement ce Quickstart. Observez particulièrement les chapitres « Consignes de sécurité fondamentales » et « Utilisation conforme ».

- ▶ Le guide de démarrage rapide doit être lu et compris.

### 1.1 Définition du terme appareil

Le terme « appareil » utilisé dans ces instructions désigne toujours le positionneur type EP 501 B.

### 1.1 Symboles

Les moyens de représentation suivants sont utilisés dans les présentes instructions.



#### **DANGER !**

**Met en garde contre un danger imminent !**

- ▶ Le non-respect peut entraîner la mort ou de graves blessures.



#### **AVERTISSEMENT !**

**Met en garde contre une situation potentiellement dangereuse !**

- ▶ Le non-respect peut entraîner de graves blessures ou la mort.



#### **ATTENTION !**

**Met en garde contre un risque possible !**

- ▶ Le non-respect peut entraîner des blessures moyennes ou légères.

#### **REMARQUE !**

**Met en garde contre des dommages matériels !**



Conseils et recommandations importants.



renvoie à des informations dans les présentes instructions ou dans d'autres documentations.

- ▶ Identifie une instruction visant à éviter un danger.  
→ identifie une opération que vous devez effectuer.

## 2 UTILISATION CONFORME

L'utilisation non conforme du positionneur type EP 501 B peut présenter des risques pour les personnes, les installations proches et l'environnement.

L'appareil est conçu pour la commande et la régulation de fluides.

- ▶ L'appareil ne doit pas être exposé au rayonnement solaire direct.
- ▶ Ne pas utiliser de tension continue pulsatoire (tension alternative redressée sans lissage) comme tension d'alimentation.
- ▶ L'utilisation doit se faire dans le respect des données et des conditions d'exploitation et d'utilisation spécifiées dans les documents contractuels et le manuel d'utilisation, décrites au chapitre « 6 Caractéristiques techniques » de ce manuel et dans les instructions de service de la vanne à commande pneumatique correspondante.
- ▶ Étant donné les nombreux cas d'utilisation possibles, veuillez vérifier si le positionneur convient au cas d'utilisation concret.
- ▶ Les conditions pour l'utilisation sûre et parfaite sont un transport, un stockage et une installation dans les règles ainsi qu'une utilisation et une maintenance parfaites.
- ▶ Utiliser le positionneur type EP 501 B uniquement dans les conditions d'utilisation conformes.

### 2.1 Limitations

Lors de l'exportation du système/de l'appareil, veuillez respecter les limitations éventuelles.

## 3 CONSIGNES DE SÉCURITÉ FONDAMENTALES

Ces consignes de sécurité ne tiennent pas compte

- des hasards et des événements pouvant survenir lors du montage, de l'exploitation et de l'entretien des appareils.
- des prescriptions de sécurité locales que l'exploitant est tenu de faire respecter entre autres par le personnel chargé du montage.



### Danger dû à la haute pression !

- ▶ Avant de desserrer les conduites et les vannes, couper la pression et assurer l'échappement de l'air des conduites.

### Danger présenté par la tension électrique !

- ▶ Avant d'intervenir dans l'appareil ou l'installation, coupez la tension et empêchez toute remise sous tension par inadvertance !
- ▶ Respectez les réglementations en vigueur pour les appareils électriques en matière de prévention des accidents et de sécurité !

### Situations dangereuses d'ordre général.

Pour prévenir les blessures, respectez ce qui suit :

- ▶ Dans une zone exposée à un risque d'explosion, le positionneur type EP 501 B doit impérativement être installé conformément à la spécification indiquée sur la plaque signalétique de sécurité séparée. L'information supplémentaire comportant des consignes de sécurité pour zone présentant des risques d'explosion, fournie avec l'appareil, doit être respectée lors de l'utilisation de celui-ci.
- ▶ Les appareils sans plaque signalétique de sécurité séparée ne doivent pas être installés dans une zone soumise à un risque d'explosion.

- ▶ L'actionnement par inadvertance de l'installation ne doit pas être possible.
- ▶ Les travaux d'installation et de maintenance doivent être effectués uniquement par des techniciens qualifiés et habilités disposant de l'outillage approprié.
- ▶ Après une interruption de l'alimentation électrique ou pneumatique, un redémarrage défini ou contrôlé du processus doit être garanti.
- ▶ L'appareil doit être utilisé uniquement en parfait état et en respectant le manuel d'utilisation.
- ▶ Les règles générales de la technique s'appliquent pour planifier l'utilisation et utiliser l'appareil.

Pour prévenir les dommages matériels sur l'appareil, respectez ce qui suit :

- ▶ Ne pas alimenter le raccord de pression d'alimentation du système en fluides agressifs ou inflammables.
- ▶ Ne pas alimenter le raccord de pression d'alimentation en liquides.
- ▶ Ne pas soumettre le corps à des contraintes mécaniques (par ex. en déposant des objets sur le corps ou en l'utilisant comme marche).
- ▶ Ne pas apporter de modifications à l'extérieur des corps des appareils. Ne pas laquer les pièces du corps et les vis.

### REMARQUE !

#### Éléments/sous-groupes sujets aux risques électrostatiques !

L'appareil contient des éléments électroniques sensibles aux décharges électrostatiques (ESD). Ces éléments sont affectés par le contact avec des personnes ou des objets ayant une charge électrostatique. Au pire, ils sont immédiatement détruits ou tombent en panne après mise en service.

- Respectez les exigences selon EN 61340-5-1 et 5-2 pour minimiser ou éviter la possibilité d'un dommage causé par une soudaine décharge électrostatique !
- Veuillez également à ne pas toucher d'éléments électroniques lorsqu'ils sont sous tension d'alimentation !



Le positionneur type EP 501 B a été développé dans le respect des règles reconnues en matière de sécurité et correspond à l'état actuel de la technique. Néanmoins, des risques peuvent se présenter.

Le non-respect de ce manuel d'utilisation avec ses consignes ainsi que les interventions non autorisées sur l'appareil excluent toute responsabilité de notre part et entraînent la nullité de la garantie légale concernant les appareils et les accessoires !

## 4 INDICATIONS GÉNÉRALES

### 4.1 Adresses

#### Allemagne

Automatisierungstechnik

**EBRO ARMATUREN Gebr. Bröer GmbH**

Karlstrasse 8

D-58135 Hagen

Tél. + 49 (0) 2331 - 904 0

Fax + 49 (0) 2331 - 904 111

E-mail : [post@ebro-armaturen.com](mailto:post@ebro-armaturen.com)



## 5 DESCRIPTION DU SYSTÈME

### 5.1 Structure

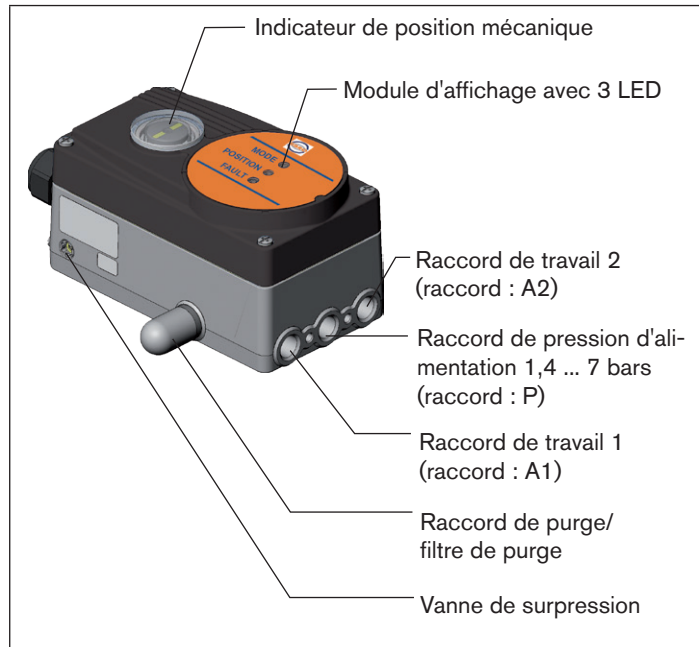


Fig. 1 : Structure, positionneur Type EP 501 B

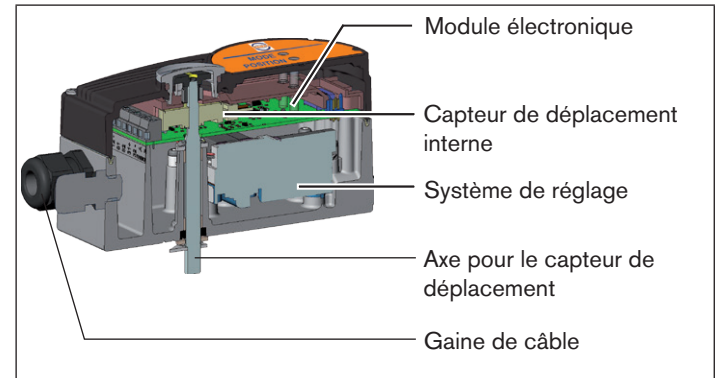


Fig. 2 : Structure, positionneur type EP 501 B

### 5.2 Description générale

Le positionneur type EP 501 B est un régulateur de position électropneumatique numérique pour les vannes continues à commande pneumatique. L'appareil comprend les groupes fonctionnels principaux

- Capteur de déplacement
- Système de réglage électropneumatique
- Électronique de microprocesseur

Le capteur de déplacement mesure les positions actuelles de la vanne continue. L'électronique de microprocesseur compare en permanence la position actuelle (valeur effective) à la consigne de position prescrite par l'entrée de signal normalisé et transmet le résultat au régulateur de position. En cas de différence de régulation, le système de réglage électropneumatique effectue une correction appropriée de la position effective.

## 5.3 Interface AS

### 5.3.1 Connexion interface AS

L'interface AS (Aktor-Sensor-Interface) est un système de bus de terrain servant principalement à la mise en réseau de capteurs et d'acteurs binaires (esclaves) avec une commande de niveau supérieur (maître).

#### Câble bus

Ligne à deux conducteurs non blindée (ligne interface AS comme câble de forme interface AS) permettant le transfert d'informations (données) mais aussi d'énergie (alimentation en tension des acteurs et des capteurs).

#### Topologie réseau

En grande mesure libre de choix, c'est-à-dire que des réseaux en étoile, en arborescence et en ligne sont possibles. La spécification de l'interface AS donne davantage de détails (version esclave A/B conforme à la spécification version 3.0).

### 5.3.2 Caractéristiques techniques pour circuits imprimés interface AS

	Version Profil S-7.3.4	Version Profil S-7.A.5
Alimentation	via l'interface AS	via l'interface AS
Sorties	Valeur de consigne 16 bits	Valeur de consigne 16 bits
Entrées	-	Message de retour 16 bits
Certification	N° de certificat 87301 selon la version 3.0	N° de certificat 95401 selon la version 3.0

Tab. 1 : Caractéristiques techniques

### 5.3.3 Données de programmation pour circuits imprimés interface AS

	Version Profil S-7.3.4	Version Profil S-7.A.5
Configuration E/A	7 hex	7 hex
Code ID	3 hex (profil analogique)	A hex
Code ID plus étendu 1	F hex (valeur par défaut, peut être modifiée par l'utilisateur)	7 hex
Code ID plus étendu 2	4 hex	5 hex
Profil	S-7.3.4	S-7.A.5

Tab. 2 : Données de programmation

#### Affectation de bits

- Sortie valeur de consigne  
(plage de valeurs 0 ... 10 000 correspond à 0 ... 100 %)
- Entrée message de retour<sup>14)</sup>  
(plage de valeurs 0 ... 10 000 correspond à 0 ... 100 %)

Octet 2							
0	0	D13	D12	D11	D10	D9	D8
Octet 1							
D7	D6	D5	D4	D3	D2	D1	D0
Bit paramètre	P3	P2	P1	P0			
Sortie	non affecté	non affecté	non affecté	non affecté			

Tab. 3 : Affectation de bits

### 5.3.4 Déroulement de la communication avec la version Profil S-7.A.5

1. Le maître interface AS (à partir de la classe de maître 4) remplace automatiquement après le démarrage l'ID de l'objet par l'esclave S-7.A.5.

Maître envoie 3 octets :		
1. octet	2. octet	3. octet
Code = 16 dez	Index = 0 dez	Length = 5 dez



Esclave S-7.A.5 répond avec 6 octets					
1. octet	2. octet	3. octet	4. octet	5. octet	6. octet
Code	Vendor ID (high)	Vendor ID (low)	Device ID (high)	Device ID (low)	1 word output + 1 word input
= 80 dez	= 120 dez		= 1 dez	= 34 dez	

ou avec 2 octets (Read Response not OK)					
1. octet	2. octet				
Code	Error Code				
= 144 dez	= 0 dez (no error)	1 dez (illegal index)	2 dez (illegal length)	3 dez (request not implemented)	4 dez (busy)

2. Les ordres cycliques suivants peuvent ensuite être utilisés :

Code = 0 (get cyclic data from Slave)  
→ pour message de retour 0 ... 100 %

Code = 1 (put cyclic data to slave)  
→ pour valeur de consigne 0 ... 100 %

## 6 CARACTÉRISTIQUES TECHNIQUES

### 6.1 Conformité

Le positionneur type EP 501 B respecte les directives CE conformément à la déclaration de conformité.

### 6.2 Normes

Les normes utilisées, avec lesquelles la conformité avec les directives CE sont prouvées, figurent dans l'attestation CE de type et/ou la déclaration de conformité CE.

### 6.3 Conditions d'exploitation

#### REMARQUE !

**En cas d'utilisation à l'extérieur, le rayonnement solaire et les variations de température peuvent être à l'origine de dysfonctionnements ou de fuites de l'appareil !**

- Lorsqu'il est utilisé à l'extérieur, n'exposez pas l'appareil aux intempéries sans aucune protection.
- Veillez à ne pas être en dessous ou au-dessus de la température ambiante admissible.

Température ambiante	0 ... +60 °C
Degré de protection	IP65 / IP67 <sup>1)</sup> selon EN 60529 (uniquement lorsque le câble, les connecteurs et les douilles sont correctement raccordés)

<sup>1)</sup> Si le positionneur est utilisé dans des conditions suivant IP67, le filtre de purge d'air (voir « Fig. 1 ») doit être retiré et l'air évacué conduit dans un endroit sec.

### 6.4 Caractéristiques mécaniques

Dimensions	voir fiche technique
Matériau	
Matériau du corps	Aluminium avec revêtement en plastique
Autres parties externes	acier inoxydable (V4A), PC, PE, POM, PTFE
Matériau d'étanchéité	EPDM, NBR, FKM
Poids	env. 1,0 kg

### 6.5 Caractéristiques électriques

Connexions	2 passe-câbles à vis (M20 x 1,5) avec bornes vissées 0,14 ... 1,5 mm <sup>2</sup> ou connecteurs ronds (M12, 8 pôles)
Interfaces	Interface de communication USB : Raccordement direct au PC via adaptateur USB. Communication avec le logiciel de communication sur technologie FTD/DTM. Un adaptateur externe avec pilote interface intégré est nécessaire.
Tension d'alimentation	24 V DC $\pm$ 10 % ondulation résiduelle max. 10 %
Puissance absorbée	< 3,5 W
Résistance d'entrée pour signal consigne	180 $\Omega$ à 0/4 - 20 mA / résolution 12 bit

Classe de protection	3 suivant VDE 0580
Message de retour de position analogique charge max. Charge pour sortie de courant 0/4 ... 20 mA	560 Ω
Interrupteurs de proximité inductifs	Limitation du courant 100 mA
Entrée binaire	connectée électriquement 0 ... 5 V = log « 0 », 10 ... 30 V = log « 1 » entrée invertie, inversée en conséquence (courant d'entrée < 6 mA)

### 6.6 Caractéristiques électriques avec commande bus interface AS (en option)

Connexions	Connecteurs ronds (M12, 4 pôles)
Tension d'alimentation	29,5 V ... 31,6 V DC (selon spécification)

Appareils sans alimentation en tension externe :  
Courant absorbé max. 150 mA

Appareils avec alimentation en tension externe :  
Tension d'alimentation externe 24 V ± 10 %, l'appareil d'alimentation doit comprendre une séparation fiable selon CEI 364-4-41 (PELV ou SELV)

Courant absorbé max.	100 mA
Courant absorbé max. de l'interface AS	50 mA

### 6.7 Caractéristiques pneumatiques

Fluide de commande	Classes de qualité selon DIN ISO 8573-1
Teneur en poussières	Classe 5, taille maximale des particules 40 µm, Densité maximale des particules 10 mg/m <sup>3</sup>
Teneur en eau	Classe 3, point de rosée maximal - 20 °C ou minimal 10 °C sous la température de service la plus basse
Teneur en huile	Classe 5, max. 25 mg/m <sup>3</sup>
Plage de température de l'air comprimé	0 ... +60 °C
Plage de pression	1,4 ... 7 bars
Puissance d'air	95 I <sub>N</sub> / min (avec 1,4 bar <sup>2)</sup> pour aération et purge 150 I <sub>N</sub> / min (avec 6 bars <sup>2)</sup> pour aération et purge (Q <sub>Nn</sub> = 100 I <sub>N</sub> / min (selon définition pour chute de pression de 7 à 6 bars absolue))
Raccords	Filetage intérieur G1/4"

<sup>2)</sup> Indications de pression : Surpression par rapport à la pression atmosphérique

## 7 COMMANDE

### 7.1 État de marche

#### AUTOMATIQUE (AUTO)

A l'état de marche AUTOMATIQUE, le fonctionnement normal du régulateur est effectué et surveillé.

→ La LED 1 (*MODE*) clignote en vert.

#### MANUEL

A l'état de marche MANUEL, la vanne peut être ouverte ou fermée manuellement à l'aide des touches.

→ La LED 1 (*MODE*) clignote en vert.

→ La LED 3 (*FAULT*) clignote en rouge.

L'interrupteur DIP 4 permet de passer de l'état de marche AUTOMATIQUE à MANUEL et vice versa (voir chapitre « [7.2.2 Fonction des interrupteurs DIP](#) »).

### 7.2 Éléments de commande et d'affichage du positionneur

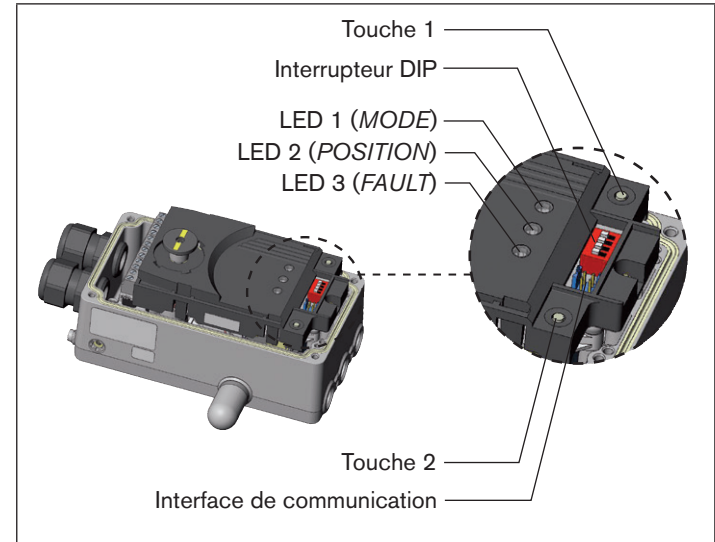


Fig. 3 : Description des éléments de commande

Le positionneur est équipé de 2 touches, d'un interrupteur DIP à 4 contacts et de 3 LED en tant qu'éléments d'affichage.

### 7.2.1 Affectation des touches

L'affectation des 2 touches à l'intérieur du boîtier est différente en fonction de l'état de marche (AUTOMATIQUE / MANUEL).

Vous trouverez la description des états de marche (AUTOMATIQUE / MANUEL) au chapitre « 7.1 État de marche ».

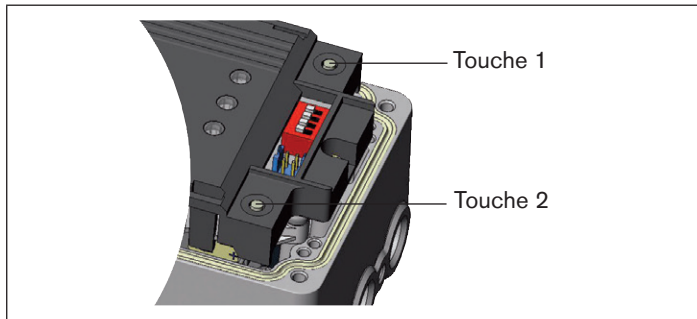


Fig. 4 : Description des touches

État de marche MANUEL (interrupteur DIP 4 sur ON) :

Touche	Fonction
1	Aération <sup>3)</sup> (ouverture / fermeture manuelle de l'actionneur) <sup>4)</sup>
2	Purge <sup>3)</sup> (ouverture / fermeture manuelle de l'actionneur) <sup>4)</sup>

<sup>3)</sup> Sans fonction si l'entrée binaire avec la fonction « commutation H/A » a été activée via le logiciel de communication.

<sup>4)</sup> Selon la fonction de réglage de l'actionneur.

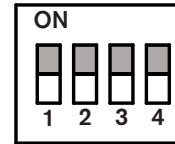
Tab. 4 : Affectation des touches état de marche MANUEL

État de marche AUTOMATIQUE (interrupteur DIP 4 sur OFF) :

Touche	Fonction
1	la fonction X.TUNE démarre en appuyant pendant 5 secondes
2	-

Tab. 5 : Affectation des touches état de marche AUTOMATIQUE

### 7.2.2 Fonction des interrupteurs DIP



Interrupteur DIP	Position	Fonction
1	ON	Inversion du sens d'action de la valeur de consigne (DIR.CMD) (valeur de consigne 20 ... 4 mA = position 0 ... 100 %)
	OFF	Sens d'action normal de la valeur de consigne (valeur de consigne 4 ... 20 mA = position 0 ... 100 %)

Inter-rupteur DIP	Position	Fonction
2	ON	Fonction de fermeture étanche activée. La vanne se ferme en dessous de 2 % <sup>5)</sup> et s'ouvre complètement au-dessus de 98 % de la valeur de consigne ( <i>CUTOFF</i> )
	OFF	Aucune fonction de fermeture étanche
3	ON	Caractéristique de correction pour l'adaptation de la caractéristique de fonctionnement (linéarisation de la caractéristique de processus <i>CHARACT</i> ) <sup>6)</sup>
	OFF	Caractéristique linéaire
4	ON	État de marche MANUEL
	OFF	AUTO État de marche AUTOMATIQUE

<sup>5)</sup> Réglage usine, peut être modifié via le logiciel de communication.  
<sup>6)</sup> Le type de caractéristique peut être modifié via le logiciel de communication.

Tab. 6 : Fonction des interrupteurs DIP


**Remarques concernant le logiciel de communication :**

La position de commutation de l'interrupteur DIP est prioritaire par rapport au logiciel de communication !

Si les valeurs de la fonction de fermeture étanche (*CUTOFF*) ou de la caractéristique de correction (*CHARACT*) sont modifiées avec l'outil logiciel, la fonction correspondante doit être activée (interrupteur DIP sur ON).

Le sens d'action de la valeur de consigne (*DIR.CMD*) peut être modifié uniquement avec les interrupteurs DIP.

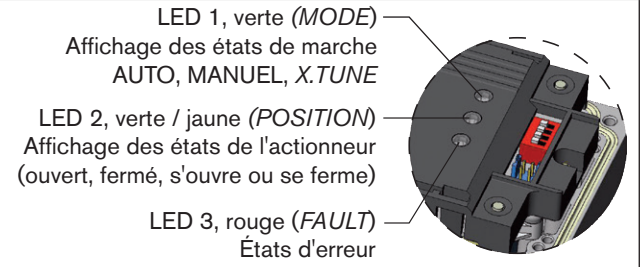
**7.2.3 Affichage des LED**


Fig. 5 : Affichage LED



**LED 1 (verte, *MODE*) et LED 3 (rouge, *FAULT*)**

États des LED		Affichage
vert	rouge	
allumée	éteinte	phase de démarrage avec Power ON
clignote lentement	éteinte	État de marche AUTO
clignote en alternance	clignote	État de marche MANUEL
clignote rapidement	éteinte	<i>Fonction X.TUNE</i>
éteinte	allumée	DEFAULT (voir chapitre « 7.3 Messages d'erreur »)
clignote lentement	clignote	État de marche AUTO en cas de détection de rupture de capteur

Tab. 7 : États LED, LED 1 et LED 3

**LED 2 (verte / jaune, *POSITION*)**

États des LED		Affichage
vert	jaune	
allumée	éteinte	actionneur fermé
éteinte	allumée	actionneur ouvert
clignote lentement	éteinte	écart de régulation permanent (valeur effective > valeur de consigne)
éteinte	clignote lentement	écart de régulation permanent (valeur effective < valeur de consigne)
clignote rapidement	éteinte	Fermeture en état de marche MANUEL
éteinte	clignote rapidement	Ouverture en état de marche MANUEL

Tab. 8 : États des LED, LED 2

### 7.3 Messages d'erreur

#### 7.3.1 Messages d'erreur dans les états de marche MANUEL et AUTOMATIQUE

Affichage	Cause du défaut	Remède
LED 3 <i>FAULT</i> (rouge) allumée	Défaut de somme de contrôle dans la mémoire des données → Mémoire des données défectueuse → L'appareil passe automatiquement dans un jeu de données plus ancien (éventuellement pas actuel).	Remède impossible. Appareil défectueux. Contactez votre agence commerciale EBRO.

Tab. 9 : Messages d'erreur en états de marche MANUEL et AUTOMATIQUE

#### 7.3.2 Messages d'erreur lors de l'exécution de la fonction X.TUNE

Affichage	Cause du défaut	Remède
LED 3 <i>FAULT</i> (rouge) allumée	Air comprimé non raccordé	Raccorder l'air comprimé
	Panne d'air comprimé pendant la fonction X.TUNE	Contrôler l'alimentation en air comprimé
	Actionneur ou côté échappement du système de réglage non étanche	Remède impossible. Appareil défectueux
	Côté aération du système de réglage non étanche	Remède impossible. Appareil défectueux
	La plage de rotation du capteur de déplacement de 180° est dépassée	Corriger le montage de l'arbre du capteur de déplacement sur l'actionneur

Tab. 10 : Messages d'erreur lors de l'exécution de la fonction X.TUNE

## 8 AJOUT ET MONTAGE

### 8.1 Montage d'appareils pour une zone Ex

Lors du montage en zone protégée contre l'explosion, respecter l'« Information supplémentaire pour l'utilisation en zone Ex » fournie avec les appareils Ex.

### 8.2 Montage sur une vanne continue avec actionneur pivotant

L'axe du capteur de déplacement intégré dans le positionneur est couplé directement à l'axe de l'actionneur pivotant.



Le jeu de montage sur les actionneurs pivotants peut être commandé auprès de la société EBRO. Les pièces correspondantes figurent dans la liste « [Tab. 11 : Jeu de montage sur actionneur pivotant](#) ».

N°	Unité	Désignation
1	1	Adaptateur
2	2	Vis sans tête DIN 913 M4 x 10
3	4	Vis à tête cylindrique DIN 933 M6 x 12
4	4	Rondelle Grower B6
5	2	Écrou hexagonal DIN 985, M4

Tab. 11 : Jeu de montage sur actionneur pivotant

### 8.2.1 Montage



#### AVERTISSEMENT !

##### Risque de blessures dû à un montage non conforme !

- ▶ Le montage doit être effectué uniquement par un personnel qualifié et habilité disposant de l'outillage approprié !

##### Risque de blessures dû à la mise en marche involontaire de l'installation et au redémarrage non contrôlé !

- ▶ Empêcher tout actionnement involontaire de l'installation.
- ▶ Garantir un redémarrage contrôlé après le montage.

#### Procédure à suivre :

- Définir la position de montage du positionneur :
  - parallèlement à l'actionneur ou
  - tourné à 90° par rapport à l'actionneur.
- Déterminer la position de base et le sens de rotation de l'actionneur.



#### Protection anti-torsion :

##### Tenir compte de la surface plate de l'axe !

En guise de protection anti-torsion, l'une des vis sans tête doit reposer sur la surface plate de l'axe (voir « [Fig. 6](#) »).

- Enficher l'adaptateur ① sur l'axe du positionneur et le fixer à l'aide de 2 vis sans tête.
- Bloquer les vis sans tête à l'aide d'écrou autobloquants.



**Plage de rotation du capteur de déplacement :**

La plage de rotation maximale du capteur de déplacement s'élève à 180°. L'axe du positionneur doit se déplacer uniquement à l'intérieur de cette plage.

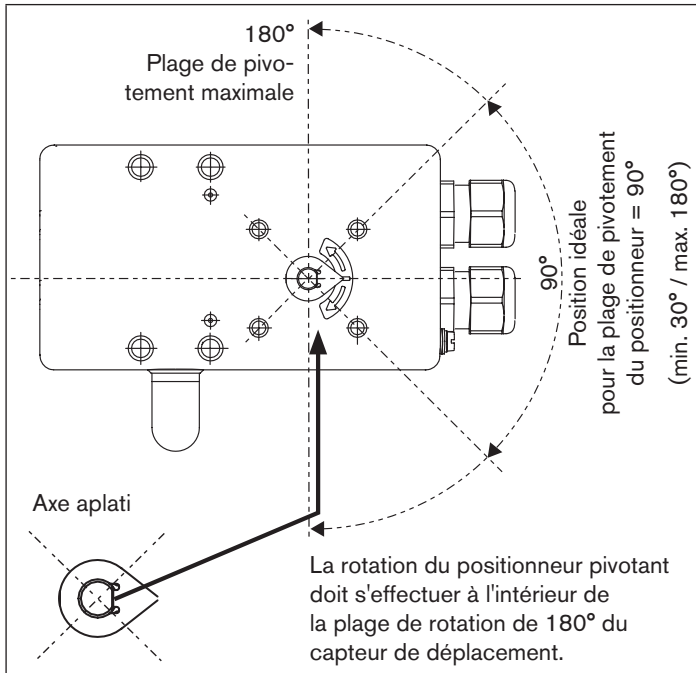


Fig. 6 : Plage de rotation / Protection anti-torsion

→ Monter le pont auxiliaire composé de plusieurs pièces\* en l'ajustant par rapport à l'actionneur.

→ Fixer le pont auxiliaire avec 4 vis à tête cylindrique ③ et rondelles Grower ④ sur le positionneur (voir « Fig. 7 »).

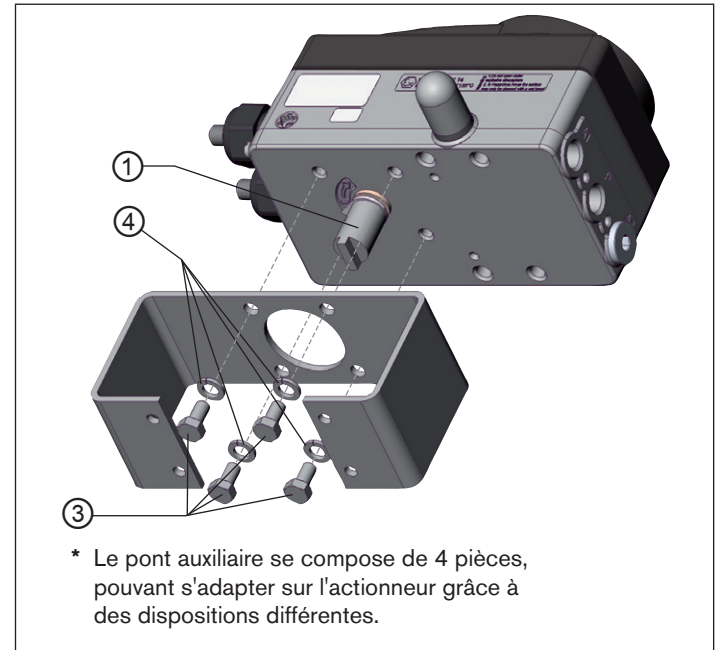


Fig. 7 : Fixer le pont auxiliaire (représentation schématique)

→ Mettre en place le positionneur avec le pont auxiliaire sur l'actionneur pivotant et le fixer (voir « Fig. 8 »)

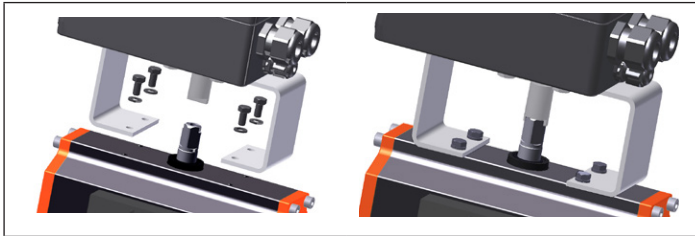


Fig. 8 : Fixation de l'actionneur pivotant

## 9 RACCORDEMENT PNEUMATIQUE

### 9.1 Raccordement d'appareils pour une zone Ex

Lors du raccordement en zone protégée contre l'explosion, respecter l'« Information supplémentaire pour l'utilisation en zone Ex » fournie avec les appareils Ex.

### 9.2 Consignes de sécurité



#### **DANGER !**

**Risque de blessures dû à la présence de haute pression dans l'installation !**

- ▶ Avant de desserrer les conduites et les vannes, couper la pression et assurer l'échappement de l'air des conduites.



#### **AVERTISSEMENT !**

**Risque de blessures dû à une installation non conforme !**

- ▶ L'installation doit être effectuée uniquement par un personnel qualifié et habilité disposant de l'outillage approprié !

**Risque de blessures dû à la mise en marche involontaire de l'installation et au redémarrage non contrôlé !**

- ▶ Empêcher tout actionnement involontaire de l'installation.
- ▶ Garantir un redémarrage contrôlé après l'installation.

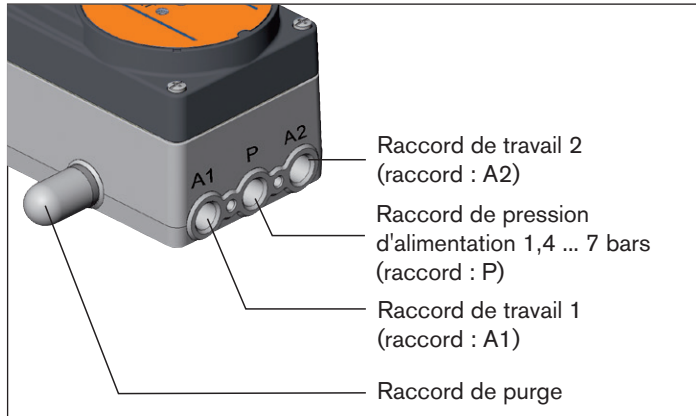


Fig. 9 : Installation pneumatique / position des raccordements

#### Procédure à suivre :

→ Appliquer la pression d'alimentation (1,4 ... 7 bars) au raccord de pression d'alimentation P.

#### Sur les actionneurs simple effet (fonction de réglage A et B) :

→ Relier un raccord de travail (A1 ou A2, en fonction de la position de sécurité souhaitée) à la chambre de l'actionneur simple effet. Positions de sécurité (voir chapitre « [9.3 Positions de sécurité](#) »).

→ Obtenir le raccord de travail non utilisé avec un bouchon de fermeture.

#### Sur les actionneurs double effet (fonction de réglage I) :

→ Relier les raccords de travail A1 et A2 aux chambres correspondantes de l'actionneur double effet. Positions de sécurité (voir chapitre « [9.3 Positions de sécurité](#) »).



#### Information importante pour garantir un comportement de régulation parfait !

Pour que le comportement de régulation dans la course supérieure ne subisse pas de forte influence négative du fait d'une différence de pression trop faible,

- maintenez la pression d'alimentation appliquée à au moins 0,5 ... 1 bar au-dessus de la pression nécessaire pour amener l'actionneur pneumatique dans sa position finale.

Si les variations sont plus importantes, les paramètres du régulateur mesurés avec la fonction *X.TUNE* ne sont pas optimaux.

- Maintenez les variations de la pression d'alimentation pendant le fonctionnement aussi faibles que possible (max.  $\pm 10\%$ ).

### 9.3 Positions de sécurité

La position de sécurité en cas de coupure de l'énergie électrique auxiliaire dépend du raccordement pneumatique de l'actionneur aux raccords de travail A1 ou A2.

#### 9.3.1 Actionneurs simple effet

Type d'actionneur	Positions de sécurité après une panne de l'énergie électrique auxiliaire	l'énergie pneumatique auxiliaire
<p>Fonction de réglage A</p>	down → Raccordement suivant « Fig. 10 »	down
	up → Raccordement suivant « Fig. 11 »	
<p>Fonction de réglage B</p>	up → Raccordement suivant « Fig. 10 »	up
	down → Raccordement suivant « Fig. 11 »	

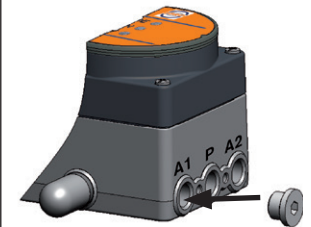
Tab. 12 : Positions de sécurité - actionneurs simple effet

#### Actionneurs simple effet - Fonction de réglage A ou B



Raccorder le raccord de travail A1 à l'actionneur  
Fermer A2

Fig. 10 : Raccordement A1



Raccorder le raccord de travail A2 à l'actionneur  
Fermer A1


Fig. 11 : Raccordement A2

### 9.3.2 Actionneurs double effet

Type d'actionneur	Positions de sécurité après une panne de l'énergie électrique auxiliaire	l'énergie pneumatique auxiliaire
	→ Raccordement voir « Fig. 12 »	non défini
	up = chambre inférieure de l'actionneur à A2	
	down = chambre supérieure de l'actionneur à A2	

Tab. 13 : Positions de sécurité - actionneurs double effet

**Actionneurs double effet - fonction de réglage I**



Raccorder le raccord de travail A1 et A2 à l'actionneur

Position de sécurité :

up = chambre inférieure à A2

down = chambre supérieure à A2

Fig. 12 : Raccord pour SFI

## 10 RACCORDEMENT ÉLECTRIQUE

### 10.1 Raccordement d'appareils pour une zone Ex

Lors du raccordement en zone protégée contre l'explosion, respecter l'« Information supplémentaire pour l'utilisation en zone Ex » fournie avec les appareils Ex.

### 10.2 Consignes de sécurité



#### **DANGER !**

##### **Risque de choc électrique !**

- ▶ Avant d'intervenir dans l'appareil ou l'installation, coupez la tension et empêchez toute remise sous tension par inadvertance !
- ▶ Respectez les réglementations en vigueur pour les appareils électriques en matière de prévention des accidents et de sécurité !



#### **AVERTISSEMENT !**

##### **Risque de blessures dû à une installation non conforme !**

- ▶ L'installation doit être effectuée uniquement par un personnel qualifié et habilité disposant de l'outillage approprié !

##### **Risque de blessures dû à la mise en marche involontaire de l'installation et au redémarrage non contrôlé !**

- ▶ Empêcher tout actionnement involontaire de l'installation.
- ▶ Garantir un redémarrage contrôlé après l'installation.



### 10.3 Installation électrique avec passe-câbles à vis

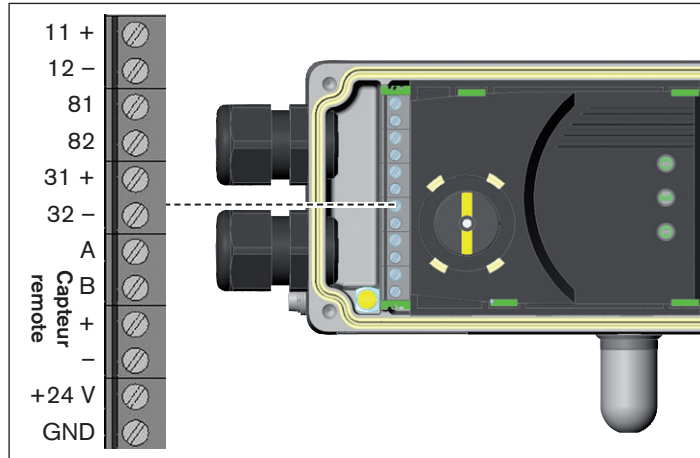


Fig. 13 : Désignation des bornes vissées

#### 10.3.1 Raccordement des bornes



- Desserrer les 4 vis du couvercle du corps et retirer le couvercle. Les bornes vissées sont maintenant accessibles.
- Raccorder les bornes conformément à leur affectation.

#### 10.3.2 Affectation des bornes pour les signaux d'entrée du poste de commande (par ex. API)

Borne	Affectation	Côté appareil	Câblage externe / niveau de signal
11 +	Valeur de consigne +	11 + ○ —	+ (0/4 ... 20 mA) connecté électriquement
12 -	Valeur de consigne GND	12 - ○ —	GND valeur de consigne
81 +	Entrée binaire +	81 + ○ —	+ $\begin{cases} 0 \dots 5 \text{ V (log. 0)} \\ 10 \dots 30 \text{ V (log. 1)} \end{cases}$
82 -	Entrée binaire -	82 - ○ —	GND (identique à la tension d'alimentation GND)



Tab. 14 : Affectation des bornes ; signaux d'entrée du poste de commande

### 10.3.3 Affectation des bornes des signaux de sortie vers le poste de conduite (par ex. API) ; (uniquement avec l'option sortie analogique)

Borne	Affectation	Côté appareil	Câblage externe / niveau de signal
31 +	Message de retour analogique +	31 + 	+ (0/4 ... 20 mA) connecté électriquement
32 -	Message de retour GND analogique	32 - 	GND (identique à la tension d'alimentation GND)

Tab. 15 : Affectation des bornes ; signaux de sortie vers le poste de commande

### 10.3.4 Affectation des bornes pour la tension d'alimentation

Borne	Affectation	Câblage externe / niveau de signal
+24 V	Tension d'alimentation +	+24 V  24 V DC ± 10 % ondulation résiduelle
GND	Tension d'alimentation GND	GND  max.10 %

Tab. 16 : Affectation des bornes de la tension d'alimentation

## 10.4 Installation électrique interface AS

### 10.4.1 Raccordement avec connecteur rond M12 x 1, 4 pôles

#### Vues du connecteur

Les vues montrent respectivement la photo de devant sur les fiches, les raccords soudés sont à l'arrière.

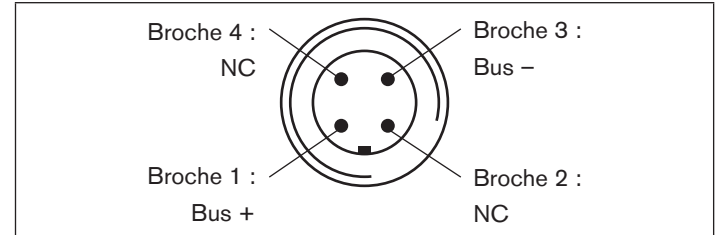


Fig. 14 : Raccordement bus sans tension d'alimentation externe

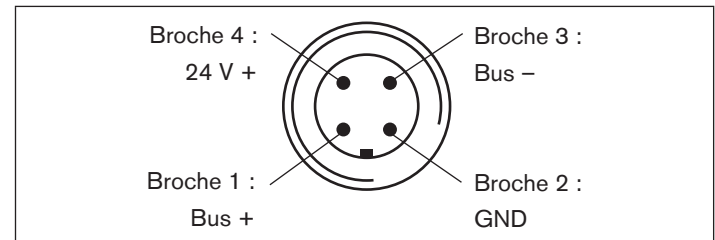


Fig. 15 : Raccordement bus avec tension d'alimentation externe (en option)

Raccordement bus sans / avec tension d'alimentation externe

Broche	Désignation	Affectation
1	Bus +	Câble bus interface AS +
2	CN ou GND (en option)	non affecté ou tension d'alimentation externe - (en option)
3	Bus -	Câble bus interface AS -
4	CN ou 24 V + (en option)	non affecté ou tension d'alimentation externe + (en option)

Tab. 17 : Affectation broche Connecteur rond Interface AS

Après application de la tension de service, le positionneur est en marche.

→ Déclencher l'adaptation automatique du positionneur, comme décrit au chapitre « 11.2 Détermination des réglages de base ».

### 10.4.2 Données de programmation

	Version Profil S-7.3.4	Version Profil S-7.A.5
Configuration E/A	7 hex	7 hex
Code ID	3 hex (profil analogique)	A hex
Code ID plus étendu 1	F hex (valeur par défaut, peut être modifiée par l'utilisateur)	7 hex
Code ID plus étendu 2	4 hex	5 hex
Profil	S-7.3.4	S-7.A.5

Tab. 18 : Données de programmation

### 10.5 LED d'indication d'état Interface AS

L'affichage d'état LED bus indique l'état de l'interface AS (LED verte et rouge).

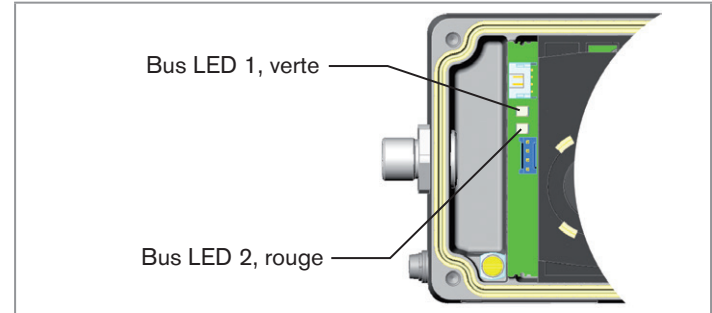


Fig. 16 : LED d'indication d'état Interface AS

Bus LED 1 (verte)	Bus LED 2 (rouge)	
éteinte	éteinte	POWER OFF
éteinte	allumée	aucune exploitation des données (chien de garde terminé avec adresse esclave différente de 0)
allumée	éteinte	OK
clignote	allumée	Adresse esclave égale à 0
éteinte	clignote	Erreur électronique ou reset externe
clignote	clignote	Délai d'attente communication bus après 100 ms (erreur périphérique)

Tab. 19 : LED d'indication d'état Interface AS

## 11 MISE EN SERVICE

### 11.1 Consignes de sécurité



#### AVERTISSEMENT !

##### Risque de blessures en cas d'utilisation non conforme !

Une utilisation non conforme peut entraîner des blessures et endommager l'appareil et son environnement.

- ▶ Avant la mise en service, il faut s'assurer que le contenu du manuel d'utilisation est connu et parfaitement compris par les opérateurs.
- ▶ Respecter les consignes de sécurité et l'utilisation conforme.
- ▶ L'appareil/l'installation doit être mis(e) en service uniquement par un personnel suffisamment formé.

### 11.2 Détermination des réglages de base

Les réglages de base du positionneur sont effectués en usine.



Pour assurer l'adaptation du positionneur aux conditions locales, exécuter la fonction *X.TUNE* après installation

#### 11.2.1 Exécution de l'adaptation automatique *X.TUNE*



#### AVERTISSEMENT !

Pendant l'exécution de la fonction *X.TUNE*, la vanne quitte automatiquement sa position actuelle !

- ▶ N'exécutez jamais *X.TUNE* lorsque le process est en cours !
- ▶ Évitez l'actionnement involontaire de l'installation par des mesures appropriées !

#### REMARQUE !

Évitez une mauvaise adaptation du régulateur suite à une pression d'alimentation ou une pression de fluide de service erronée !

- Exécutez *X.TUNE* **dans tous les cas** avec la pression d'alimentation disponible lors du fonctionnement ultérieur (= énergie auxiliaire pneumatique).
- Exécutez la fonction *X.TUNE* de préférence **sans** pression de fluide de service, afin d'exclure les perturbations dues aux forces en relation avec le débit.



Pour exécuter la fonction *X.TUNE*, le positionneur doit se trouver en état de marche AUTOMATIQUE (Interrupteur DIP 4 = OFF).

→ Démarrage de *X.TUNE* en appuyant pendant 5 s sur la touche 1<sup>9)</sup>.

Pendant l'exécution de *X.TUNE*, la LED 1 clignote très rapidement (verte).

Dès que l'adaptation automatique est terminée, la LED 1 clignote lentement (verte)<sup>10)</sup>.

Les modifications sont automatiquement enregistrées dans la mémoire (EEPROM), dès que la fonction *X.TUNE* a été exécutée avec succès.



Si la LED 3 (rouge) est allumée après démarrage de la fonction *X.TUNE*, cela signifie que la fonction *X.TUNE* a été interrompue suite à un défaut.

- Vérifier la présence de défauts éventuels (voir « [Tab. 10 : Messages d'erreur lors de l'exécution de la fonction X.TUNE](#) »).
- Répéter ensuite la fonction *X.TUNE*.

<sup>7)</sup> Démarrage de *X.TUNE* également possible via le logiciel de communication.

<sup>8)</sup> La LED 3 rouge est allumée lors de la survenue d'un défaut.

## 12 TRANSPORT, STOCKAGE, EMBALLAGE

### REMARQUE !

#### Dommages dus au transport !

Les appareils insuffisamment protégés peuvent être endommagés pendant le transport.

- Transporter l'appareil à l'abri de l'humidité et des impuretés et dans un emballage résistant aux chocs.
- Veiller à ce que la température de stockage ne se situe ni au-dessus ni en dessous de la température de stockage admissible.
- Protéger les raccords pneumatiques des dommages en utilisant des capuchons de protection.

#### Un mauvais stockage peut endommager l'appareil.

- Stocker l'appareil au sec et à l'abri des poussières !
- Température de stockage de -20 à 65 °C.

#### Dommages sur l'environnement causés par des pièces d'appareil contaminées par des fluides.

- Éliminer l'appareil et l'emballage dans le respect de l'environnement !
- Respecter les prescriptions en matière d'élimination des déchets et de protection de l'environnement en vigueur.

